

Parts Manual

MZ480

Brush Cutter





500 Venture Drive
Orrville Oh 44667
www.ventrac.com

Serial Number Description



Notes

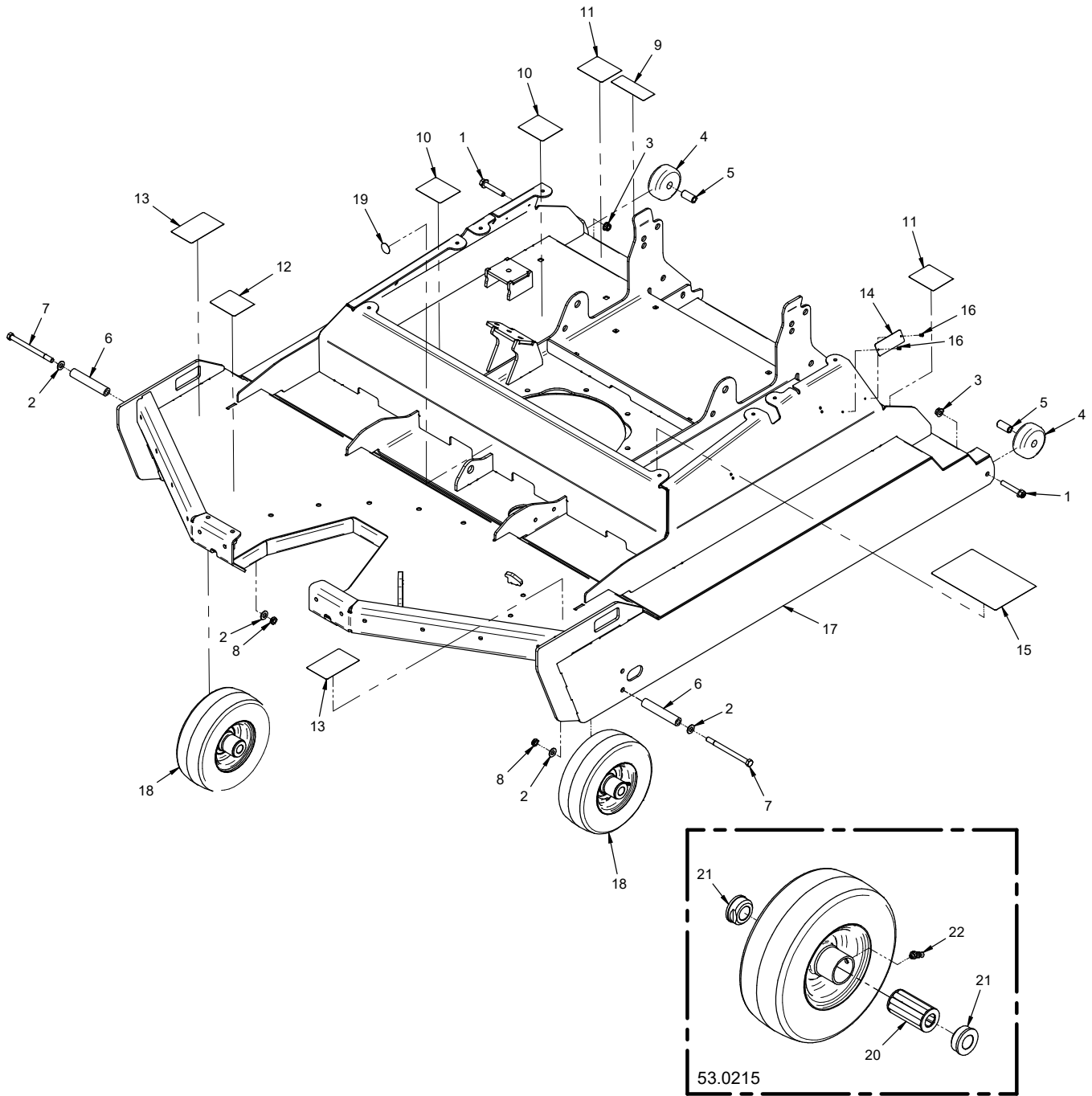
- If any component requires replacement, use only original Ventrac replacement parts.
- When ordering new components, be sure to order all required safety decals. All current safety decals must be affixed to the replacement components prior to installation of the component.

TABLE OF CONTENTS

PARTS	PAGE 4
Main Deck & Fixed Wheels	4
Front & Rear Deck Belting	6
Hitch Arms.....	8
Drive Shaft & Attachment Belt.....	10
Main Deck Belt & Tensioner	12
Spindles & Blades	14
Deck Cover	16

PARTS

ILLUSTRATED DRAWING Main Deck & Fixed Wheels



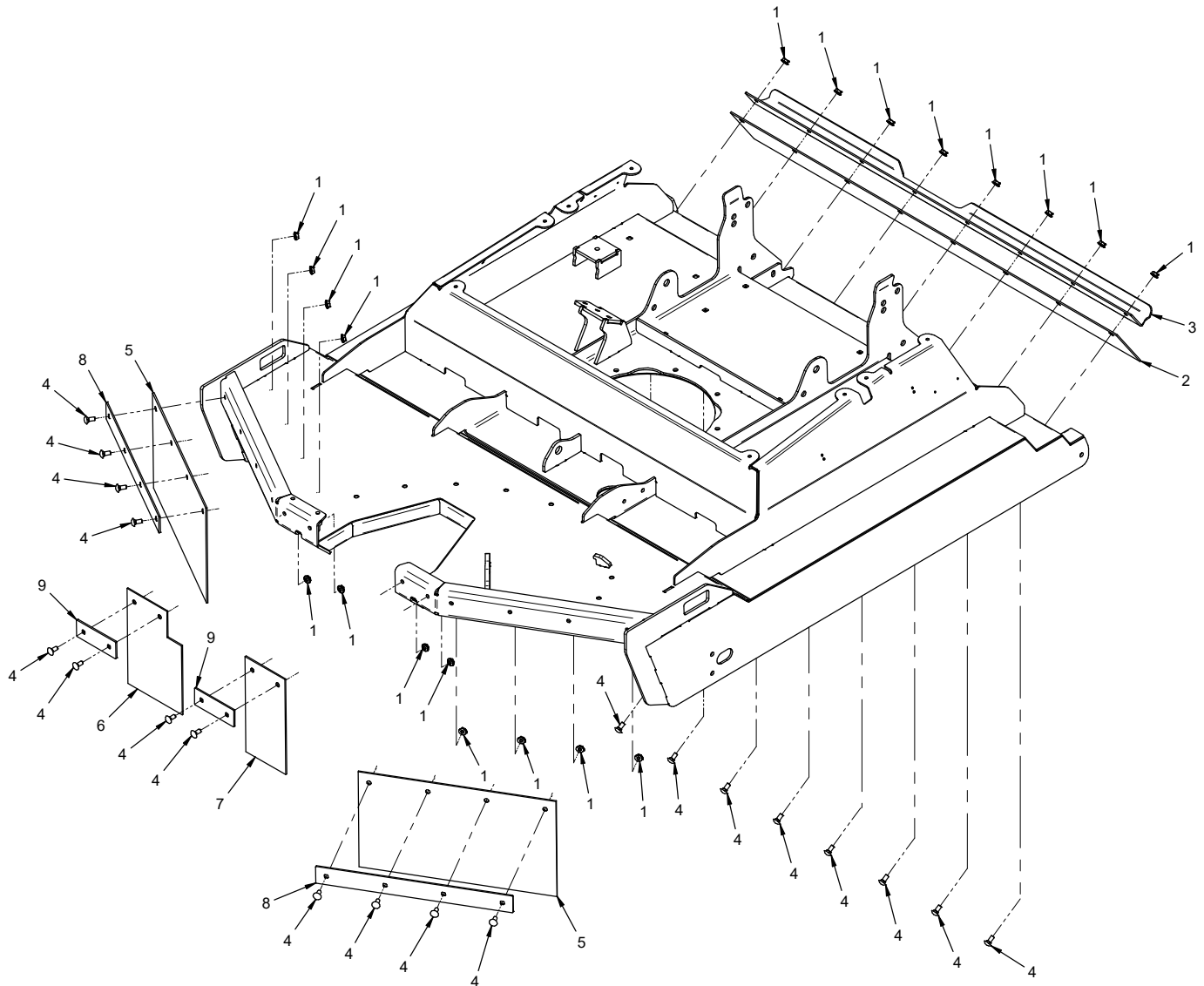
PARTS

Main Deck & Fixed Wheels

REF.	PART NO.	DESCRIPTION	QTY.
1	99.SF0618-1	BOLT, SMF 3/8-16 X 2-1/4	2
2	95.06	Washer, Flat 3/8 SAE	4
3	99.E0082	Nut, Locking Flange 3/8-16	2
4	HQ-1137	Roller, Rear 3" Dia x 1-1/4" Long	2
5	HQ-1160	Axle, Rear Roller HQ682	2
6	50.0055	Tube, Axle-Wheel Lm	2
7	90.0640	Bolt, 3/8-16 USS x 5	2
8	99.A06C	Locknut, Center 3/8-16	2
9	00.0620	Decal, Pinching or Crushing Hazard	1
10	00.0625	Decal, Shield Missing	2
11	00.0626	Decal, Entanglement Hazard	2
12	00.0627	Decal, Thrown Object Hazard	1
13	00.0628	Decal, Cutting Hazard Mower Blade	2
14	N/A	Plate, Ventrac Serial Number	1
15	00.0809	Decal, Maintenance MZ480	1
16	04.0029	Rivet, Pop 1/8" X 1/4" SS	2
17	MZ-6010	Frame, Deck	1
18	53.0215	Wheel, Asm 9 x 3.5 x 4 Flatfree	2
19	00.0815	Decal, Lift Point	1
20	55.0115	Bearing, Roller 2.50" Long	1
21	55.0114	Retainer, Roller Bearing 3/4"	2
22	29.GF0003	Grease Ftg, 1/4 SAE 45	1

PARTS

ILLUSTRATED DRAWING Front & Rear Deck Belting



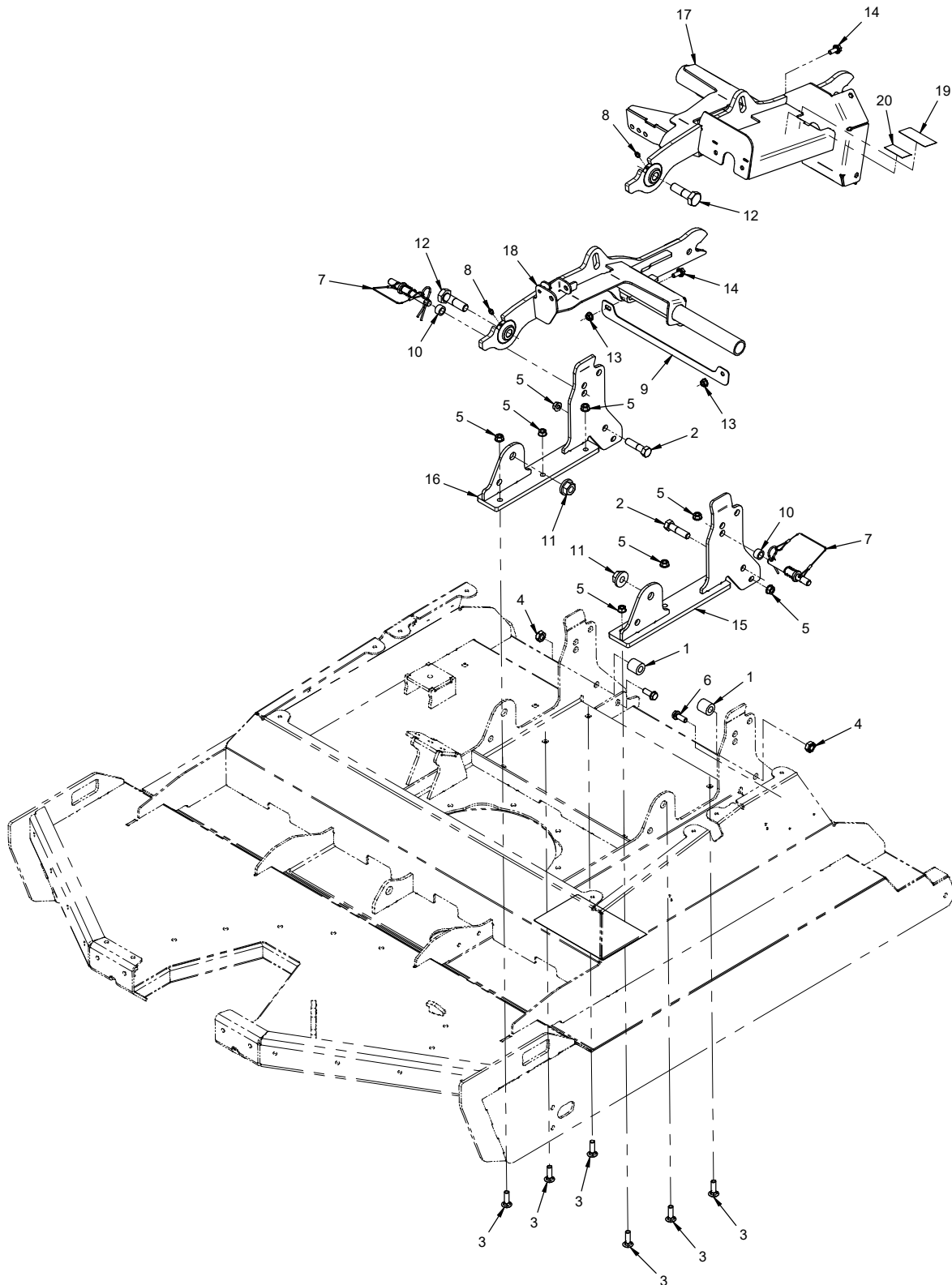
PARTS

Front & Rear Beck Belting

REF.	PART NO.	DESCRIPTION	QTY.
1	99.SF05	Nut, SRF 5/16-18 USS	20
2	MZ-1017	Belting, Rear MZ480	1
3	MZ-1019	Clamp, Rear Belting	1
4	97.0506	Bolt, Carriage 5/16 x 3/4	20
5	MZ-1156	Belting, Front Outer	2
6	MZ-1235	Belting, Front Inner With Notch	1
7	MZ-1157	Belting, Front Inner	1
8	MZ-1158	Clamp, Front Outer Belting	2
9	MZ-1159	Clamp, Front Belting Inner	2

PARTS

ILLUSTRATED DRAWING Hitch Arms



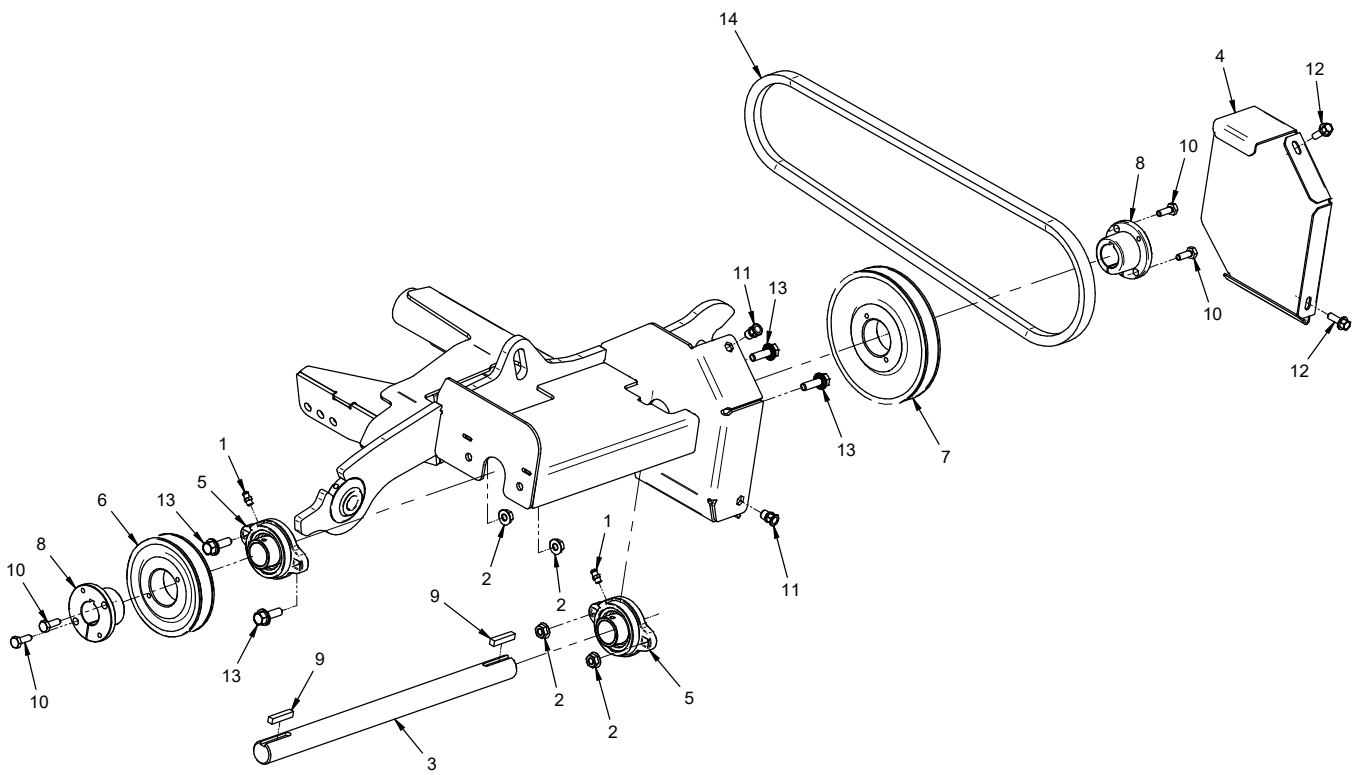
PARTS

Hitch Arms

REF.	PART NO.	DESCRIPTION	QTY.
1	MZ-1183	.BUSHING, .531ID X 1 OD X 1 L	2
2	90.0816	.Bolt, 1/2-13 USS x 2	2
3	97.0610	.Bolt, Carriage 3/8-16 x 1-1/4	6
4	99.A08	.Locknut, Stover 1/2-13 USS	2
5	99.SF06	.Nut, SRF 3/8-16 USS	8
6	99.SF0608	.Bolt, SRF 3/8-16 USS x 1	2
7	03.0037	.Pin, Knurled w/Spring & Lanyard	2
8	29.GF0001	.Grease Ftg, 1/4 SAE ST	2
9	64.1934	.Brace, Hitch Arm Spacing	1
10	64.2046	.Spacer, .509 x .750 x .438 L	2
11	99.E0094	.Locknut, 5/8-11 Flanged Stover	2
12	99.K0111	.Bolt, 5/8-11 X 2-1/4 Grd A325	2
13	99.SF05	.Nut, SRF 5/16-18 USS	2
14	99.SF0506	.Bolt, SRF 5/16-18 USS x 3/4	2
15	MZ-6031	.Weldment, Left Hitch Arm Mount Plate	1
16	MZ-6032	.Weldment, Right Hitch Arm Mount Plate	1
17	MZ-6019	.Hitch Arm, Left	1
18	MZ-6018	.Hitch Arm, Right	1
19	00.0619	.Decal, Read Operator's Manual	1
20	00.0770	.Decal, Built in the USA	1

PARTS

ILLUSTRATED DRAWING Drive Shaft & Attachment Belt



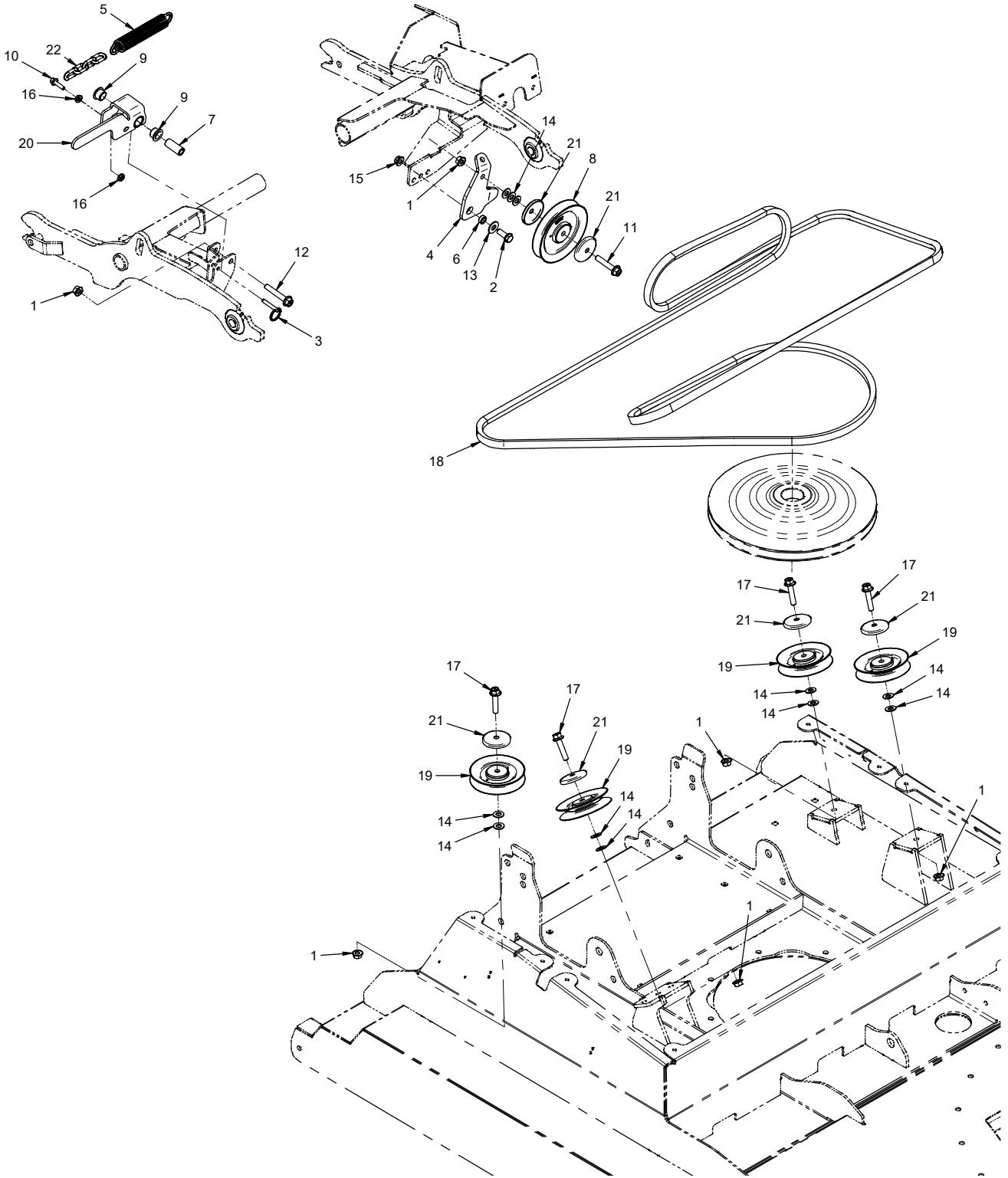
PARTS

Drive Shaft & Attachment Belt

REF.	PART NO.	DESCRIPTION	QTY.
1	29.GF0001	Grease Ftg, 1/4 SAE ST	2
2	99.SF05	Nut, SRF 5/16-18 USS	4
3	MZ-1179	Shaft, TGP 1 X 14-7/8L Keyed	1
4	MZ-1217	Shield, Drive Pulley	1
5	55.FB16016-1	Bearing, Flange Block 1"	2
6	83.BK45H	Pulley, 4.5" H-Bushing	1
7	83.BK60H	Pulley, 6" H-Bush	1
8	83.H16S	Bushing, 1" Split 1/4" Key	2
9	85.K0410	Key, 1/4 X 1-1/4	2
10	90.0406	Bolt, 1/4-20 USS x 3/4"	4
11	99.E0105	Nut, Insert 1/4-20 Hex	2
12	99.SF0406-1	Bolt, SMF 1/4-20 X 3/4	2
13	99.SF0508	Bolt, SRF 5/16-18 USS x 1	4
14	81.B047	Belt, B47	1

PARTS

ILLUSTRATED DRAWING Main Deck Belt & Tensioner



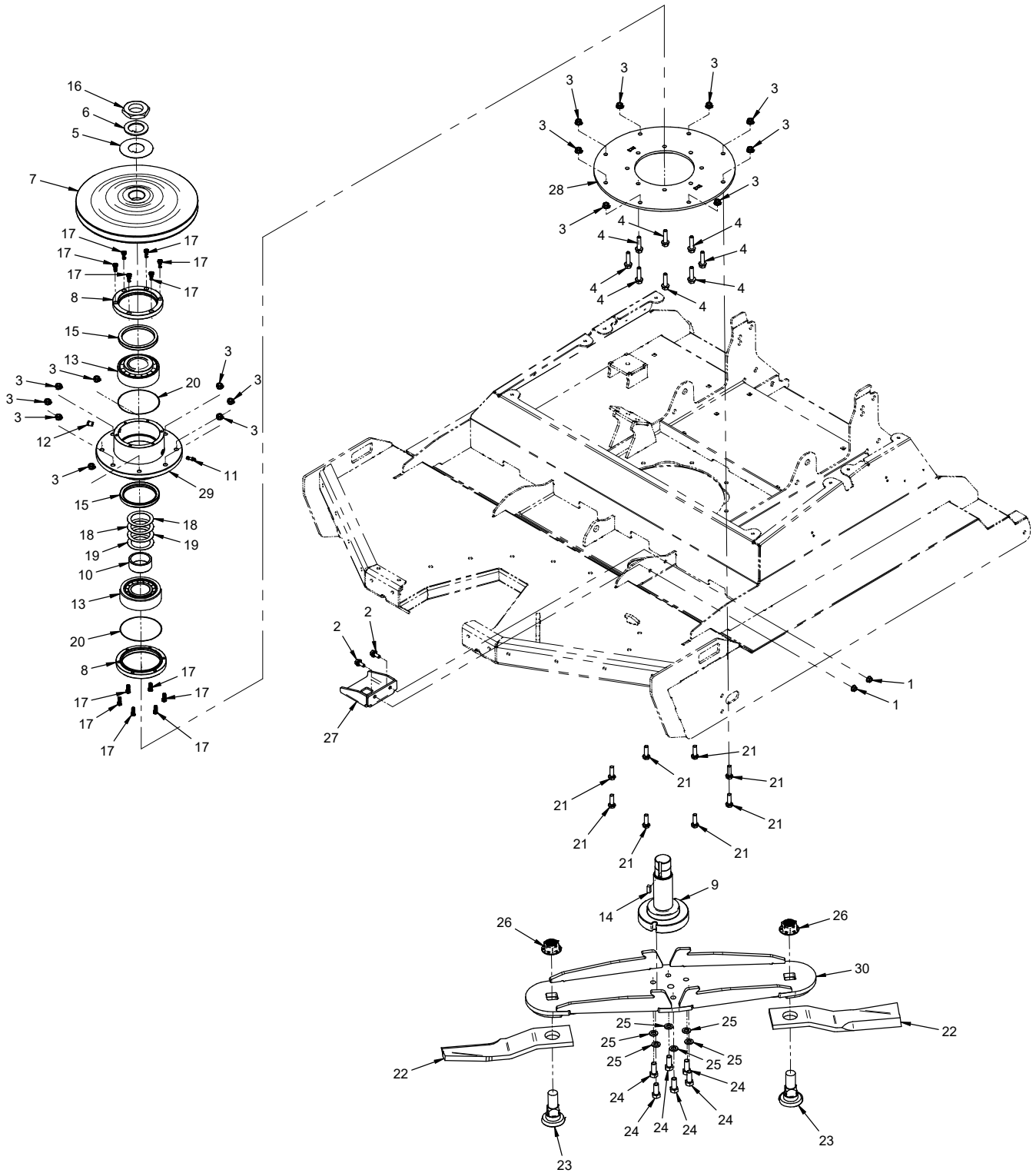
PARTS

Main Deck Belt & Tensioner

REF.	PART NO.	DESCRIPTION	QTY.
1	99.SF06	Nut, SRF 3/8-16 USS	6
2	99.SF0608	Bolt, SRF 3/8-16 USS x 1	1
3	03.0022	Pin, Ball 1/4" x 1"	1
4	40.0399	Idler Arm, Belt Tension	1
5	41.0048	Spring, Ext. 1 Od X 6	1
6	64.0602	Bushing, 3/8 x 5/8 x .265	1
7	64.1936	Bushing, Belt Tension Pivot	1
8	83.0031	Pulley, V-Idler 5-1/4 X 3/8 ID	1
9	85.B0088	Bushing, 5/8 ID X 3/4 OD X 1/2	2
10	99.SF0408-1	Bolt, SMF 1/4-20 x 1	1
11	99.SF0616-1	BOLT, SMF 3/8-16 X 2	1
12	99.SF0618-1	BOLT, SMF 3/8-16 X 2-1/4	1
13	94.06	Washer, Flat 3/8 USS	1
14	95.06	Washer, Flat 3/8 SAE	11
15	99.E0082	Nut, Locking Flange 3/8-16	1
16	99.SF04	Nut, SRF 1/4-20 USS	2
17	99.SF0614-1	Bolt, SMF 3/8-16 X 1-3/4	4
18	81.5001	Belt, B180 Custom	1
19	83.0038	Pulley, V-Idler 4-1/4 X 3/8 ID	4
20	MZ-6014	Handle, Belt Tensioner	1
21	60.1056	Cover, Pulley	6
22	81.0160	Chain, 1/8 Plated x 4 Links	1

PARTS

ILLUSTRATED DRAWING Spindles & Blades



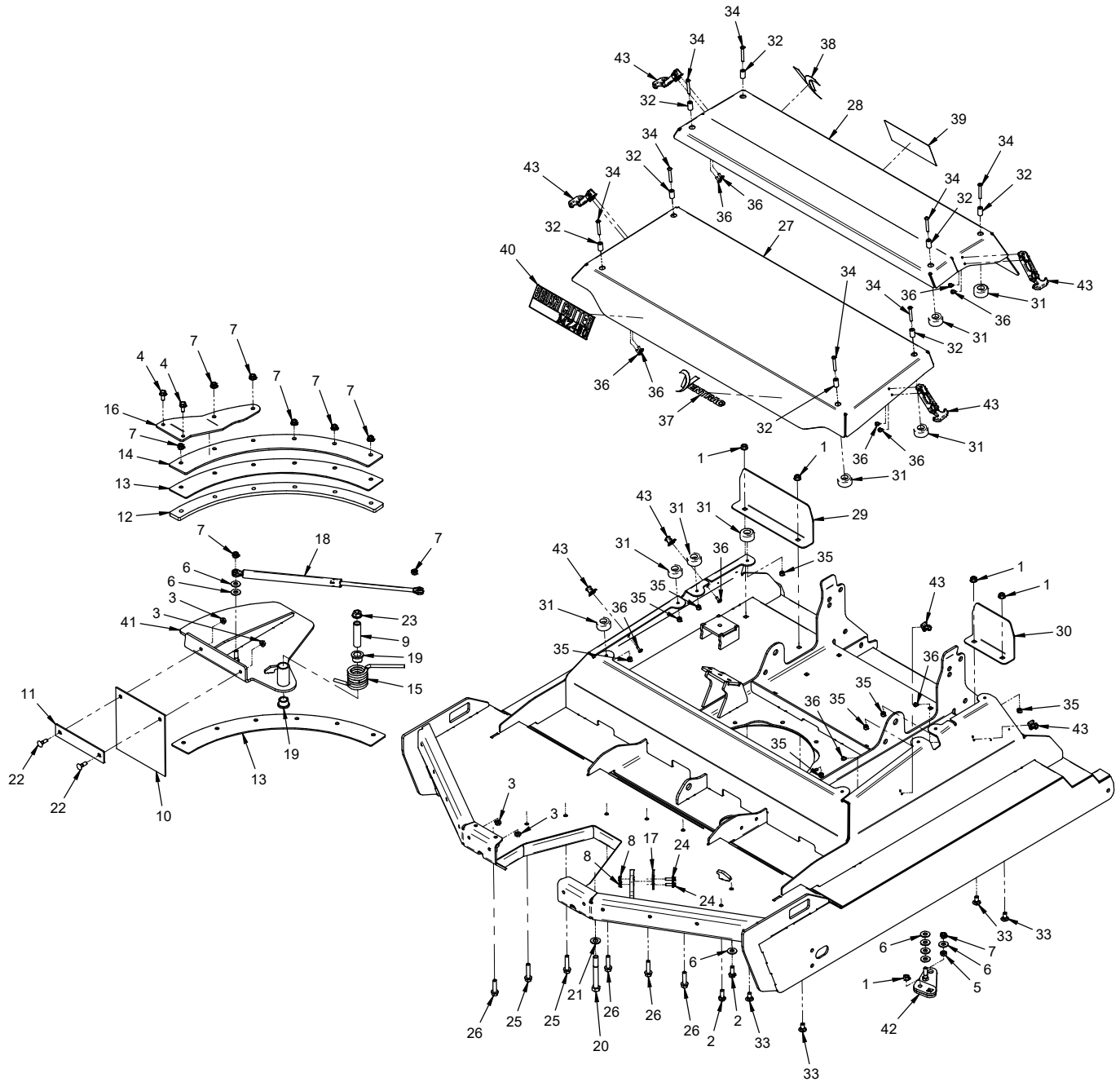
PARTS

Spindles & Blades

REF.	PART NO.	DESCRIPTION	QTY.
1	99.SF05	Nut, SRF 5/16-18 USS	2
2	99.SF0506	Bolt, SRF 5/16-18 USS x 3/4	2
3	99.E0082	Nut, Locking Flange 3/8-16	16
4	99.SF0612-1	BOLT, SMF 3/8-16 X 1-1/2	8
5	ET-1063	Washer, 1.655 ID x 3.5 OD Tab	1
6	ET-1064	Washer, 1.655 ID x 2.5 OD Tab	1
7	MZ-1195	Pulley, Custom Single Groove	1
8	MZ-1196	Ring, Spindle Seal Mounting	2
9	MZ-1197	Shaft, Spindle Main	1
10	MZ-1202	Sleeve, Spindle Spacer	1
11	29.GF0021	Grease FTG, 1/4-28 x 31/32 L	1
12	29.GF0017	Fitting, Relief	1
13	55.0128	Bearing, Taper Roller	2
14	85.K0506	Key, 5/16 x 3/4	1
15	89.0117	Seal, Radial Shaft	2
16	99.E0153	Nut, 1-5/8-12 UN LH	1
17	99.K0192	Bolt, SHCS 1/4-20 x 5/8 Long	12
18	99.B0145	Shim, 2 ID x 2.75 OD x .005 T	2
19	99.B0146	Shim, 2 ID x 2.75 OD x .010 T	2
20	26.0066	O-Ring, 0.07 x 4.239	2
21	99.SF0610-1	Bolt, SMF 3/8-16 USS x 1-1/4	8
22	79.0130	Blade, 13.5 x 1.516 RH with Lift	2
23	99.K0191	Bolt, Blade Bolt	2
24	91.0810-8	Bolt, 1/2-20 SAE x 1-1/4 Gr8	6
25	96.08	Washer, Lock 1/2	6
26	99.E0161	Nut, Locking Flange 1"-14 Blk	2
27	MZ-6020	COVER, BLADE BOLT ACCESS	1
28	MZ-6028	Mount, Spindle	1
29	MZ-6023	Weldment, Spindle Housing	1
30	MZ-6016	Frame, Blade Carrier	1

PARTS

ILLUSTRATED DRAWING Deck Cover



PARTS

Deck Cover

REF.	PART NO.	DESCRIPTION	QTY.
1	99.SF06	Nut, SRF 3/8-16 USS	5
2	99.SF0608	Bolt, SRF 3/8-16 USS x 1	2
3	99.SF05	Nut, SRF 5/16-18 USS	4
4	99.SF0506	Bolt, SRF 5/16-18 USS x 3/4	2
5	64.0602	Bushing, 3/8 x 5/8 x .265	1
6	94.06	Washer, Flat 3/8 USS	8
7	99.E0082	Nut, Locking Flange 3/8-16	9
8	99.SF04	Nut, SRF 1/4-20 USS	2
9	MZ-1109	Bushing, Spring Pivot	1
10	MZ-1113	Belting, Cutout Rotational Cover	1
11	MZ-1160	Clamp, Rotational Cover Belting	1
12	MZ-1162	Spacer, Rotational Cover Slide	1
13	MZ-1163	Slide, Cutout Rotational Cover	2
14	MZ-1164	Clamp, Rotational Cover Slide	1
15	MZ-1210	Spring, Torsion	1
16	MZ-1230	Cover, Debris	1
17	MZ-1232	Plate, Spring Retainer	1
18	47.0537	SHOCK, GAS SPRING	1
19	85.B0112	Bushing, 3/4 ID x 1" OD x 3/4"	2
20	90.0832	Bolt, 1/2-13 USS x 4	1
21	95.08	Washer, Flat 1/2 SAE	1
22	97.0508	Bolt, Carriage 5/16-18 x 1	2
23	99.E0103	Nut, Locking Flange 1/2-13	1
24	99.SF0406	Bolt, SRF 1/4-20 X 3/4	2
25	99.SF0614-1	Bolt, SMF 3/8-16 X 1-3/4	2
26	99.SF0612-1	BOLT, SMF 3/8-16 X 1-1/2	4
27	MZ-1189	Cover, Deck Front	1
28	MZ-1190	Cover, Deck Rear	1
29	MZ-1191	Shield, Right Rear	1
30	MZ-1192	Shield, Left Rear	1
31	05.0095	Bumper, Rubber Cylindrical	8
32	05.0103	Spacer, 1/4 ID x 1/2 OD x 7/8"	8
33	97.0606	Bolt, Carriage 3/8-16 x 3/4	4
34	99.0414	Bolt, 1/4-20 x 1-3/4 BSCS	8
35	99.A04N	Locknut, Nylon 1/4-20	8
36	99.K0072	Machine Screw, 10-24 X 1/2 ZP	12
37	00.0672	Decal, Ventrac Black	1
38	00.0681	Decal, V Black	1
39	00.0808	Decal, Height Adjust MZ480	1
40	00.0812	Decal, MZ480	1
41	MZ-6011	Cover, Deck Cutout Rotational	1
42	MZ-6024	Anchor, Gas Shock	1
43	47.0127	Latch, Rubber Draw T-Handle	4