

**Grillo®**

**AGRIGARDEN  
MACHINES**

**CLIMBER  
10 SERIES  
CL 10.27 AWD**

**2015 EDITION  
SPARE PARTS BOOKLET**

## 98 cm CUTTING DECK

PIATTO TOSAERBA cm 98

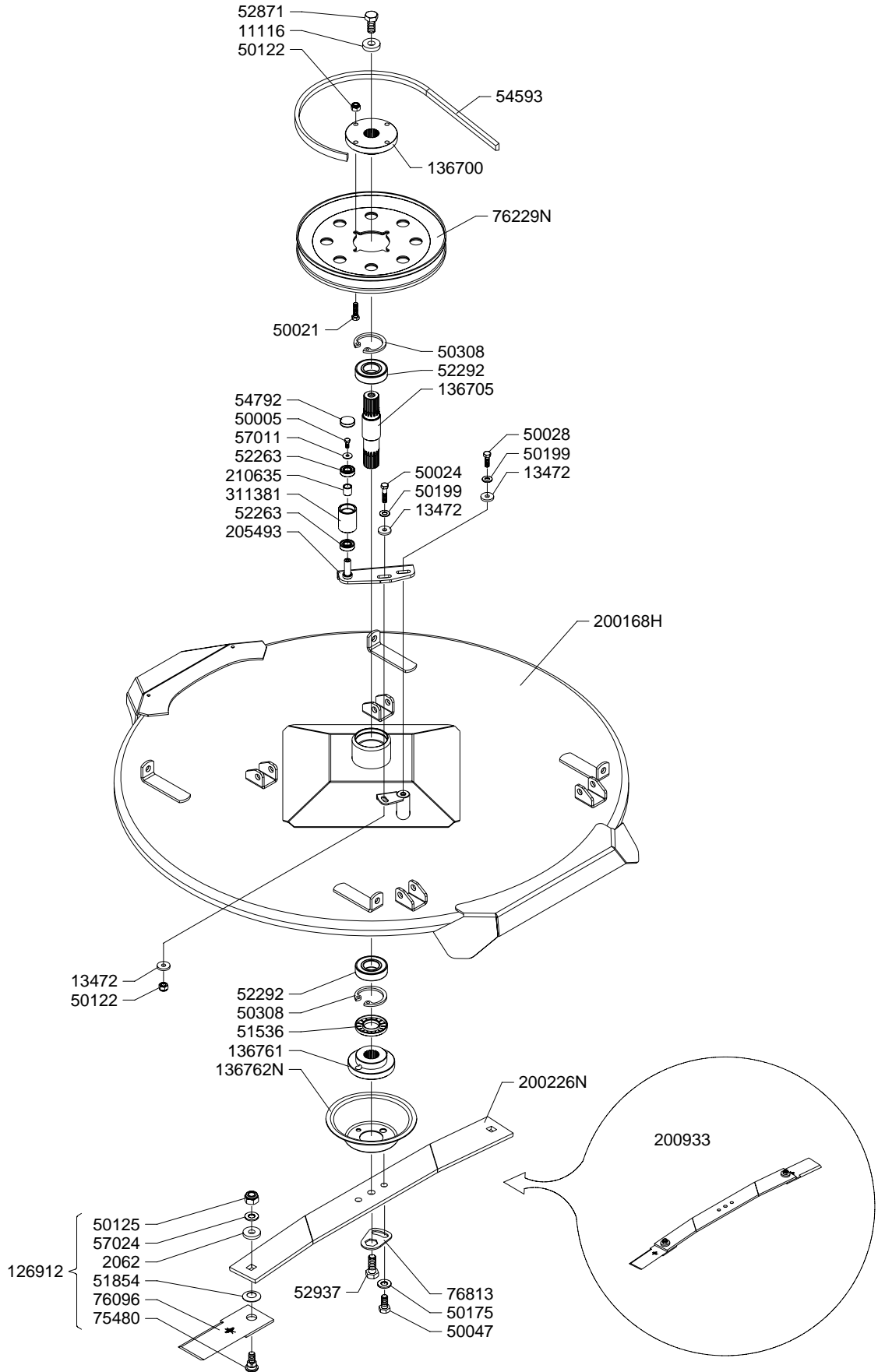
RASENMÄHER cm 98

TONDEUSE cm 98

PLATO CORTACÉSPED cm 98

200861

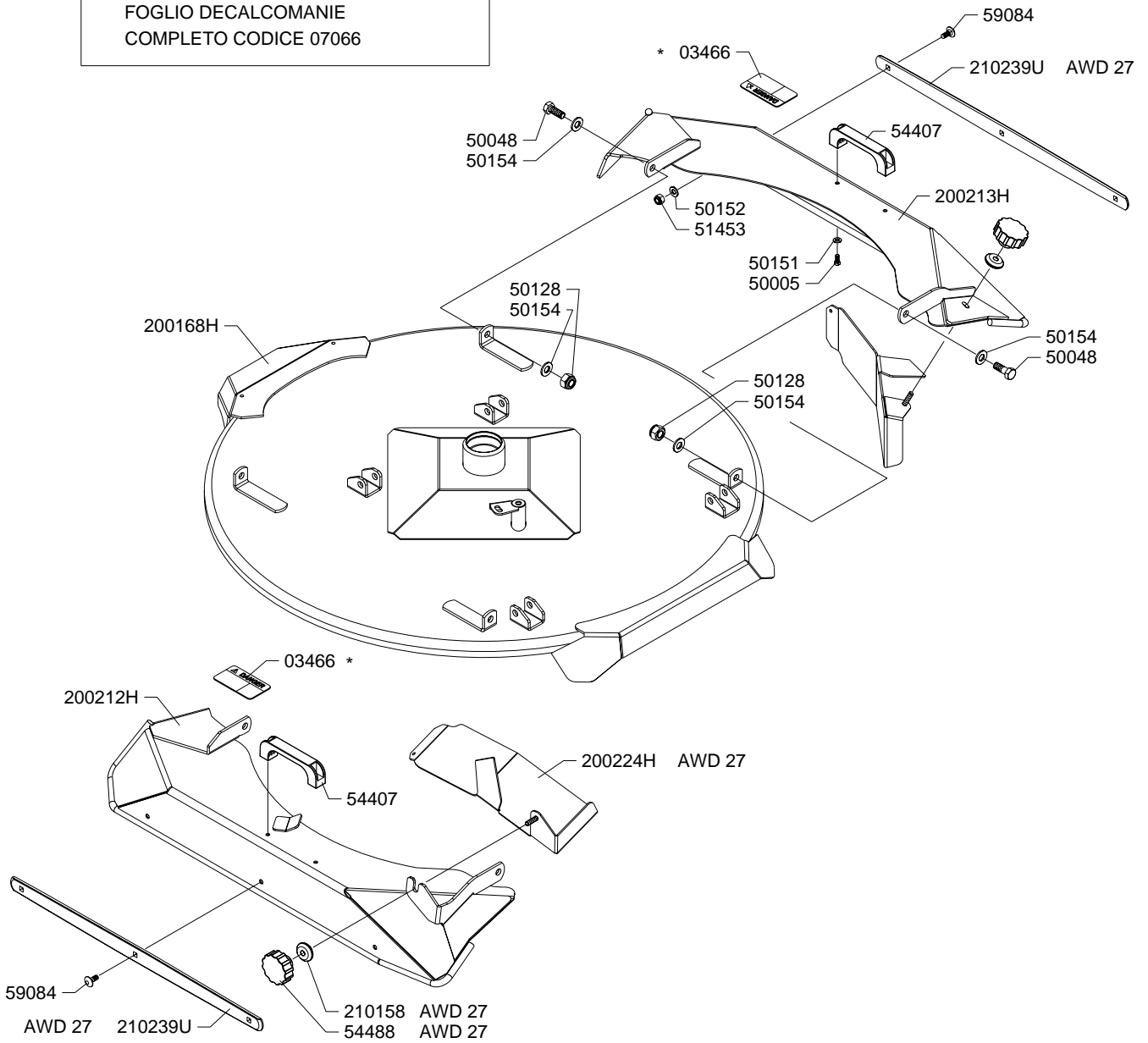
CL10 AWD 27



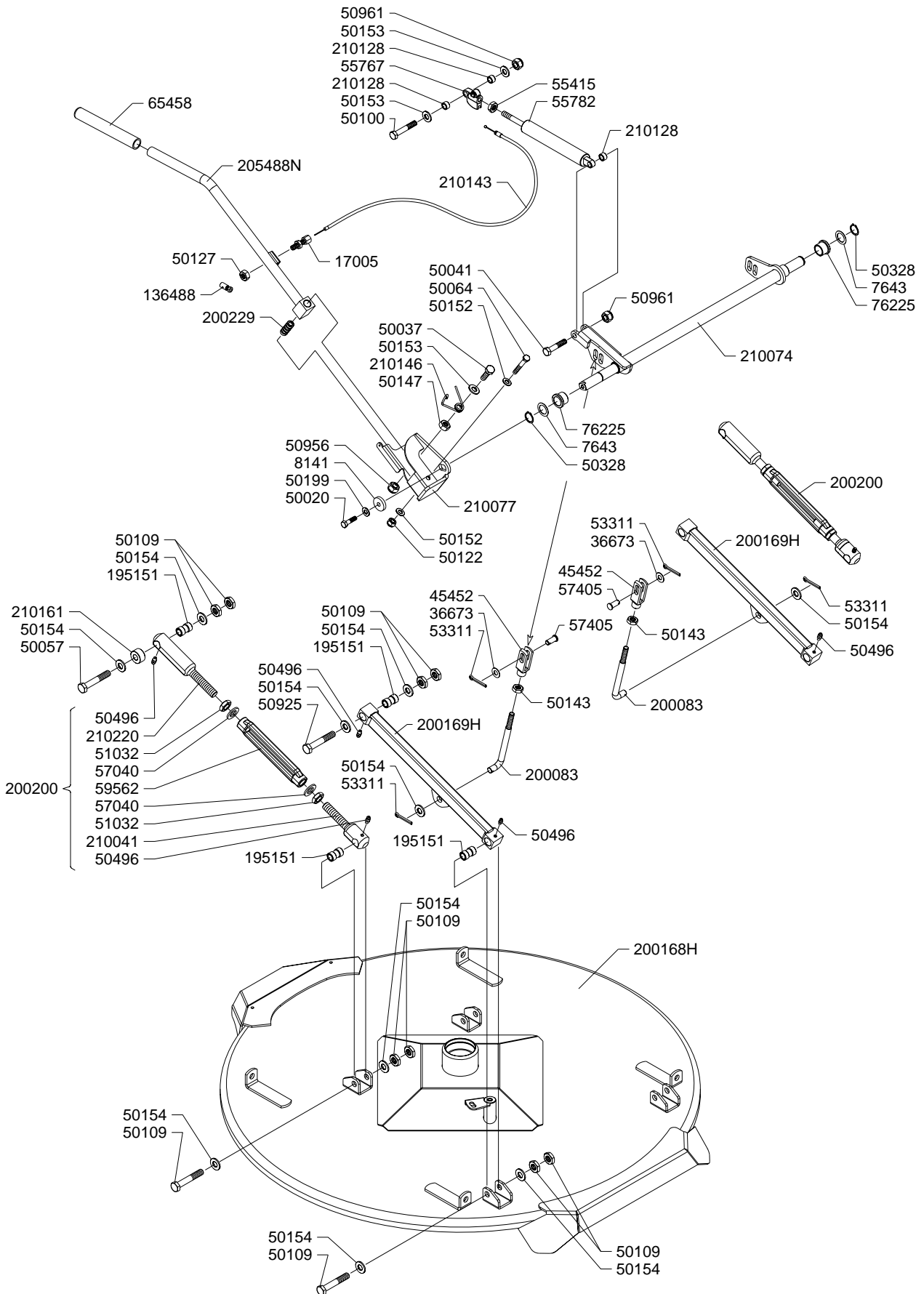
CL10 AWD

\* ITEM SUPPLIED WITH THE  
COMPLETE DECAL SHEET ONLY  
PART NUMBER 07066

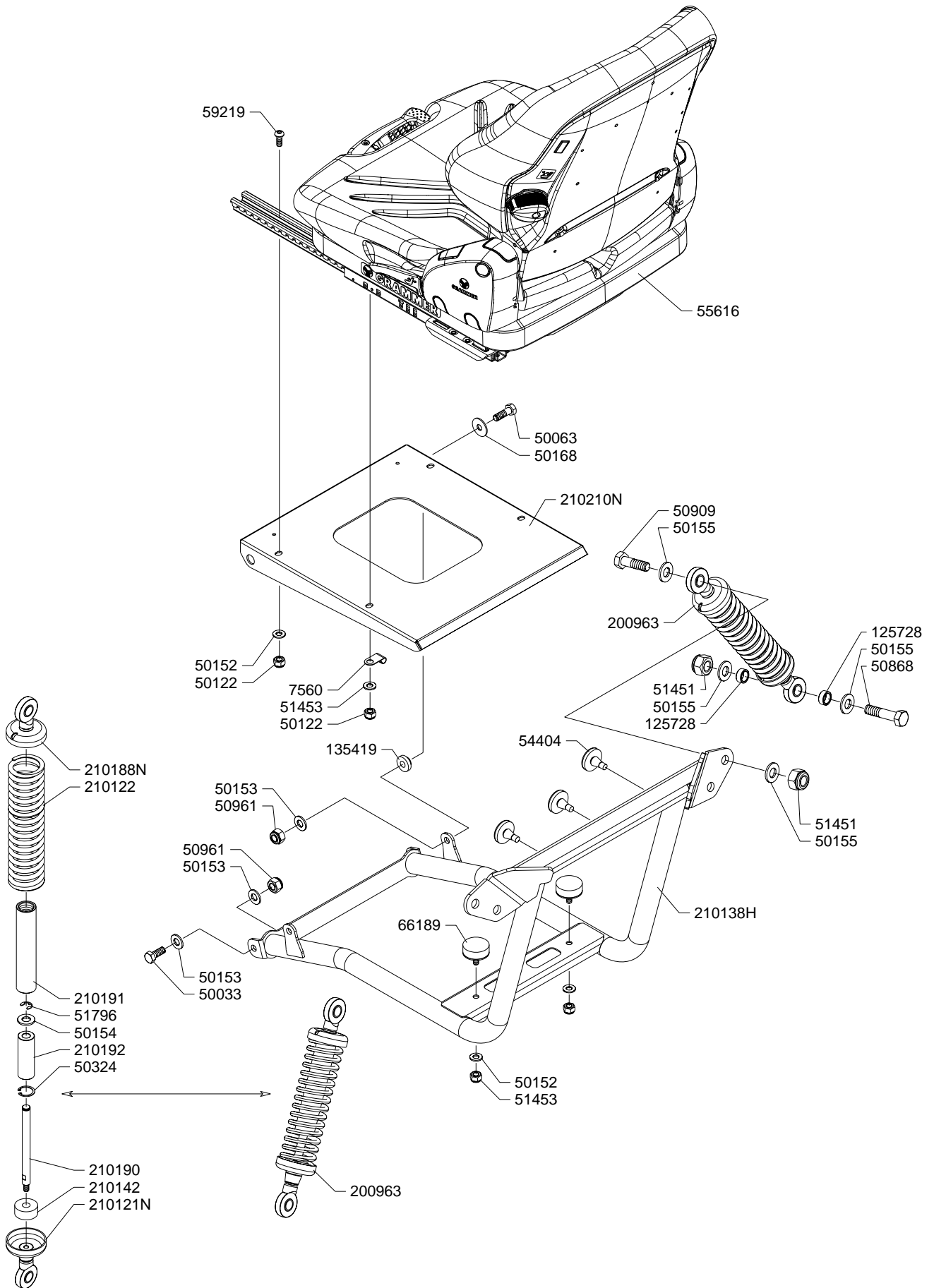
\* PARTICOLARE NON FORNITO  
SEPARATAMENTE  
FOGLIO DECALCOMANIE  
COMPLETO CODICE 07066



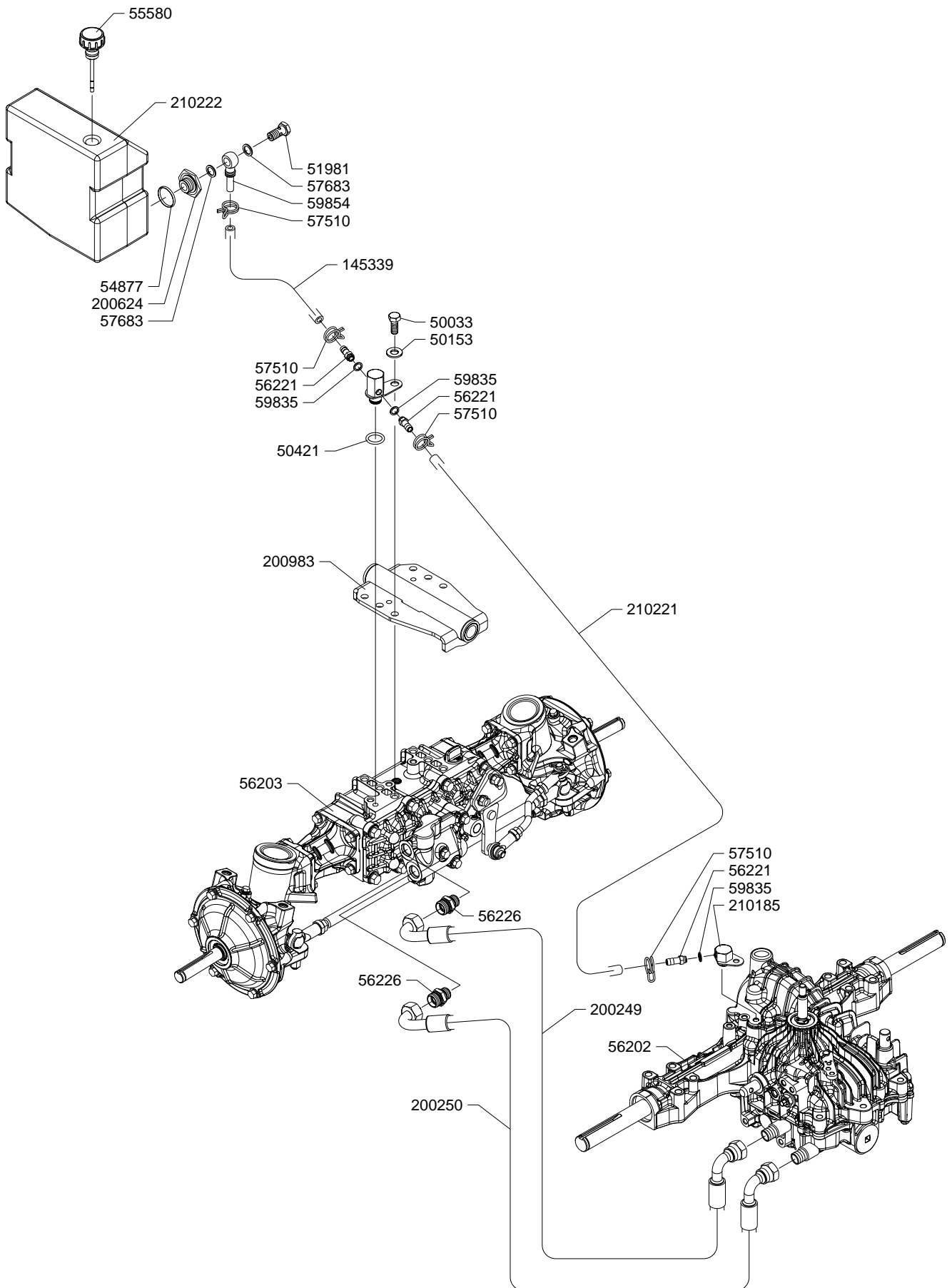
CL10 AWD



CL10 AWD 27



CL10 AWD

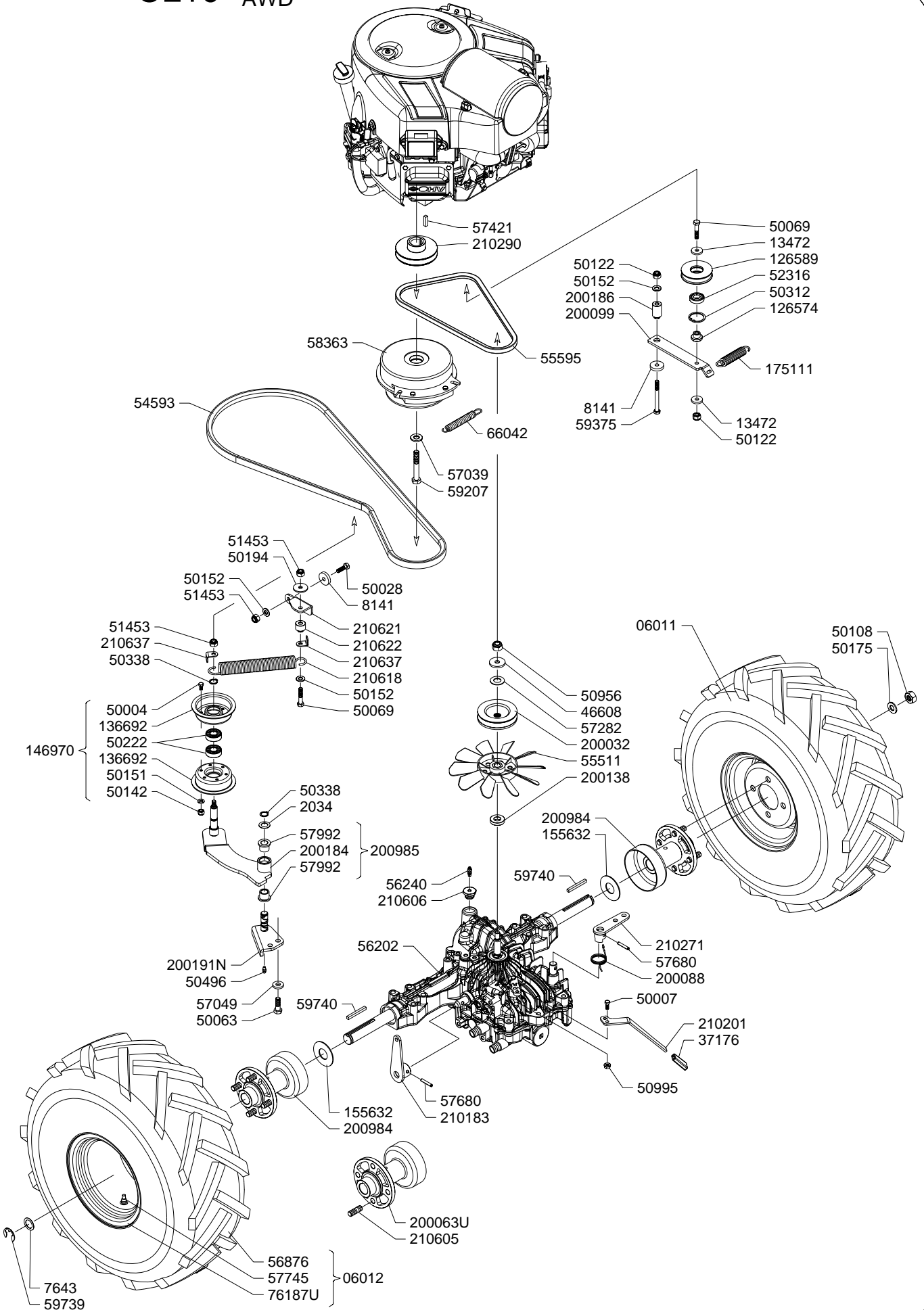


## TRANSMISSION AND REAR AXLE

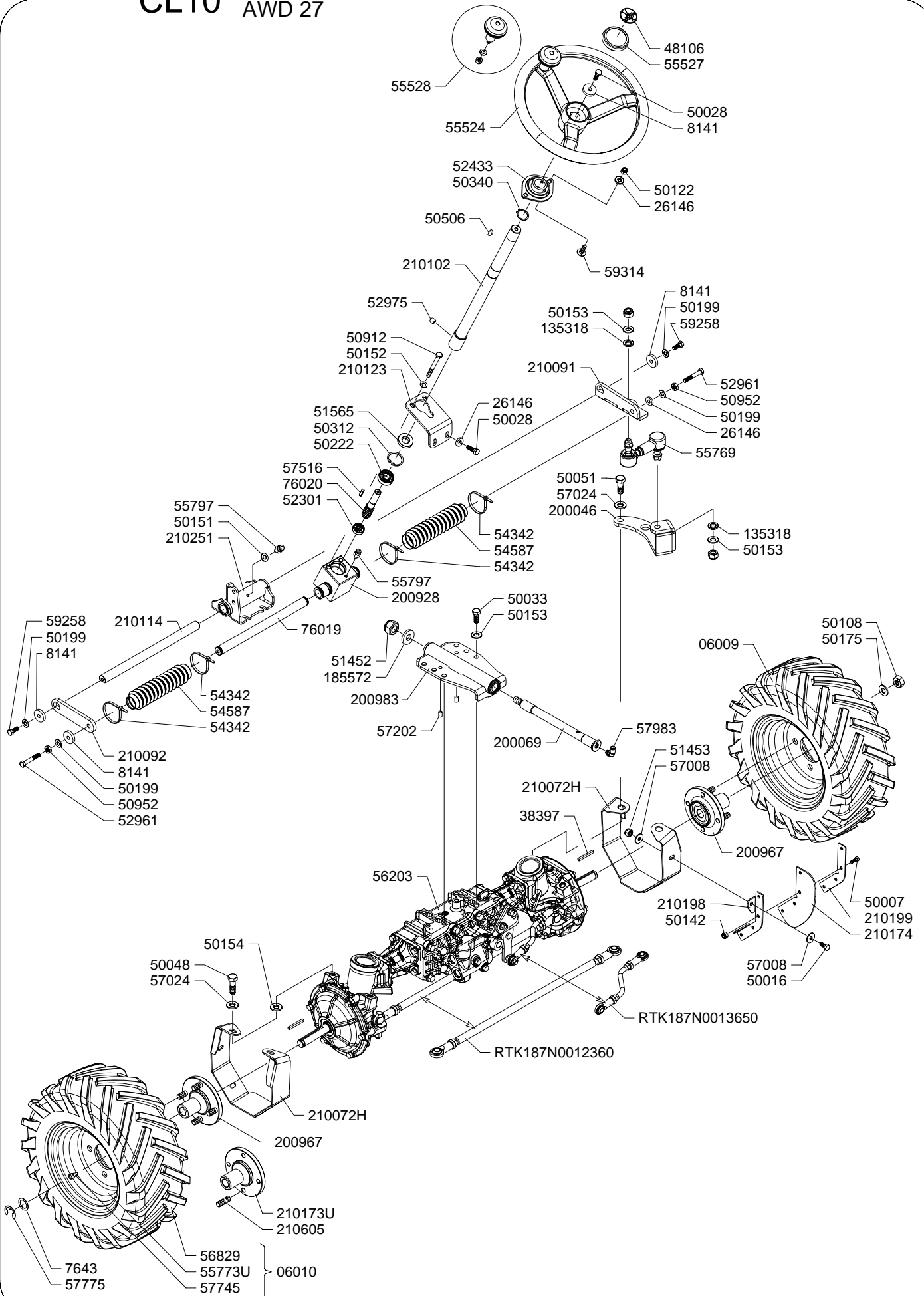
TRASMISSIONE E ASSALE POSTERIORE  
HYDROSTATGETRIEBE UND HINTERACHSE  
TRANSMISSION ET ESSIEU ARRIERE  
TRANSMISION Y EJE TRASERO

200866

CL10 AWD

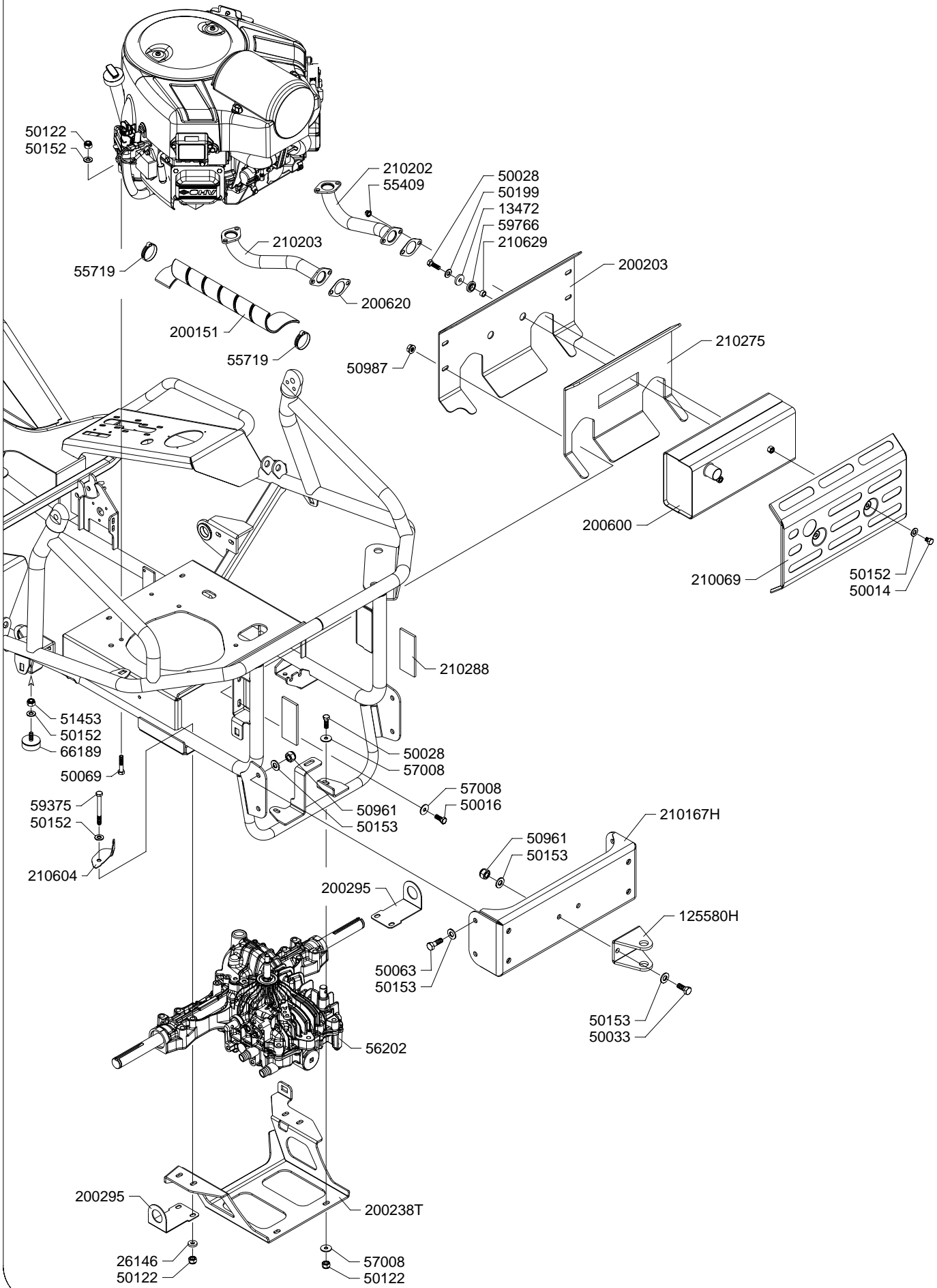


CL10 AWD 27

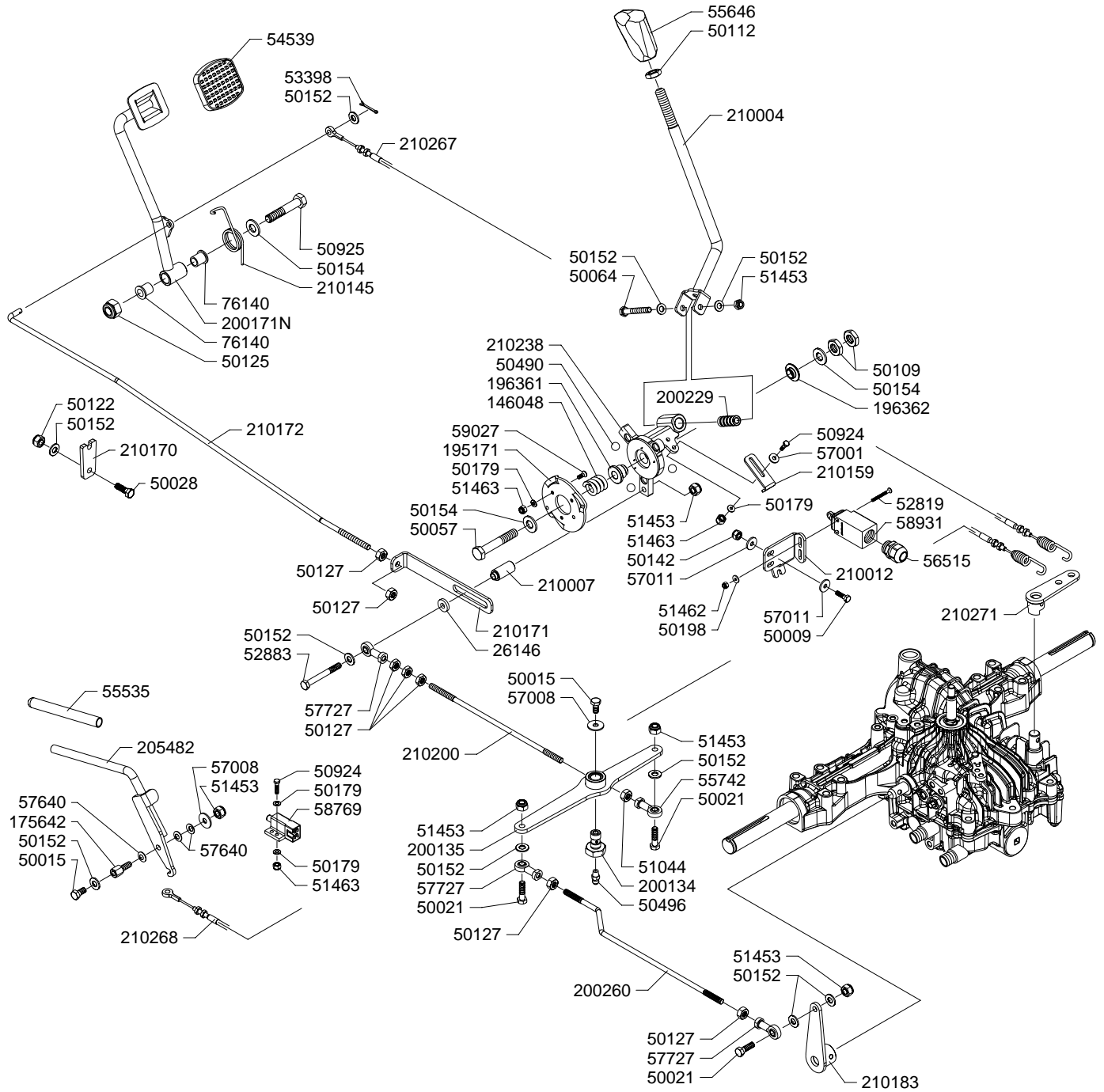




CL10 AWD 27



CL10 AWD



# Grillo

## DIFFERENTIAL PEDAL AND FRONT PART

PEDALE DIFFERENZIALE E PARTE ANTERIORE

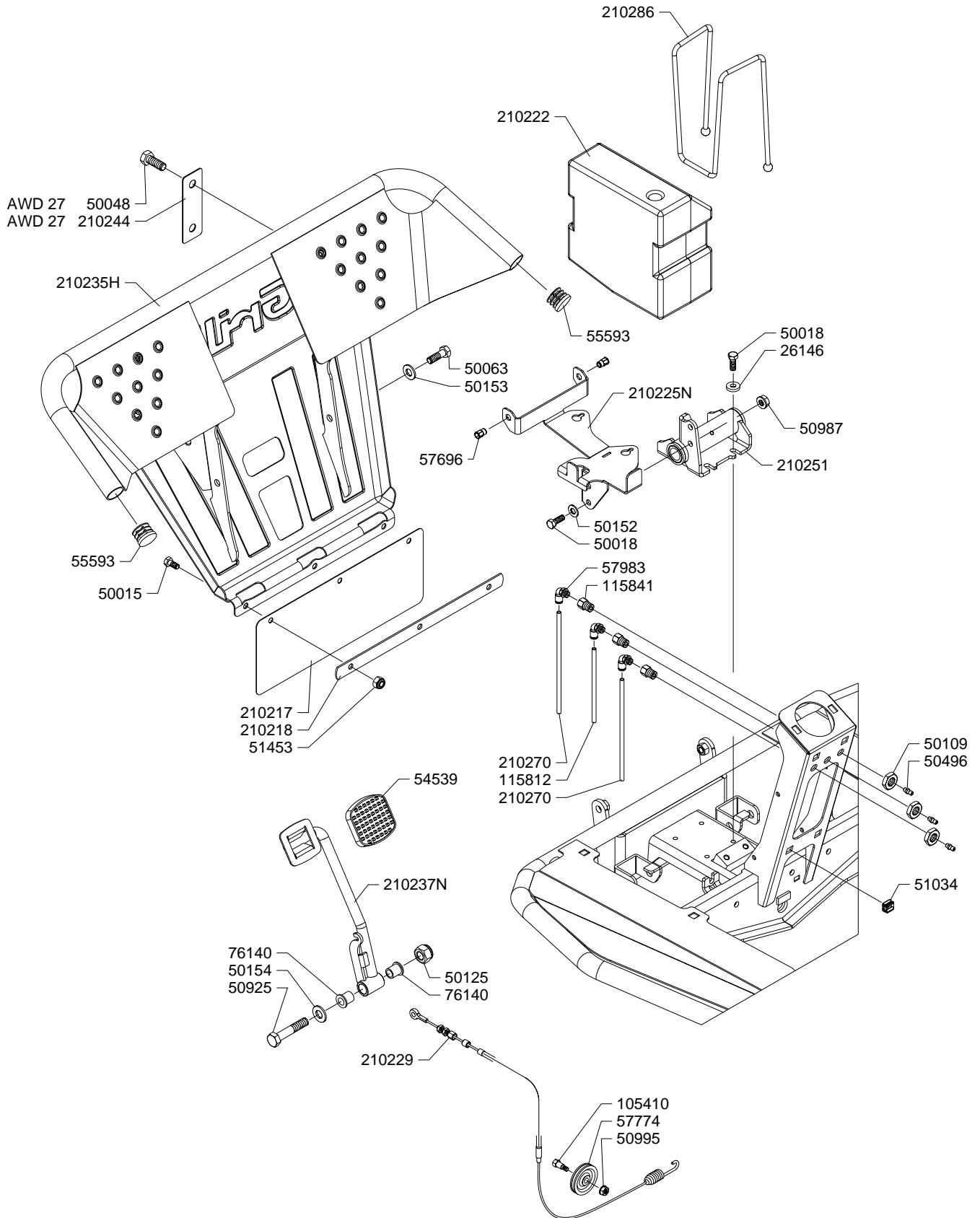
DIFF.PEDAL UND VORDERTEIL

PEDALE DU DIFF.ET PATIE AVANT

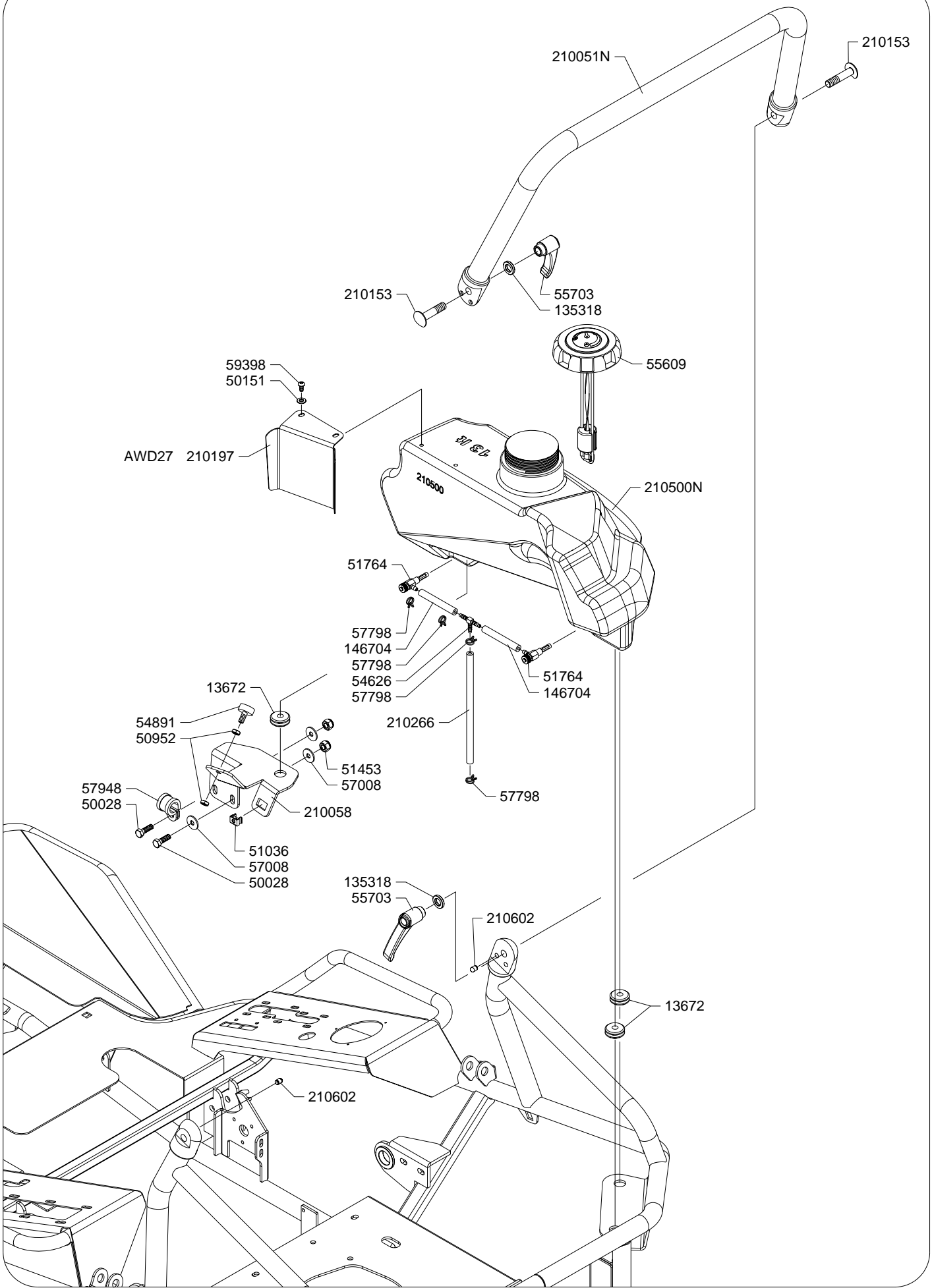
PEDAL DEL DIFERENCIAL Y PARTE DELANTERA

200870

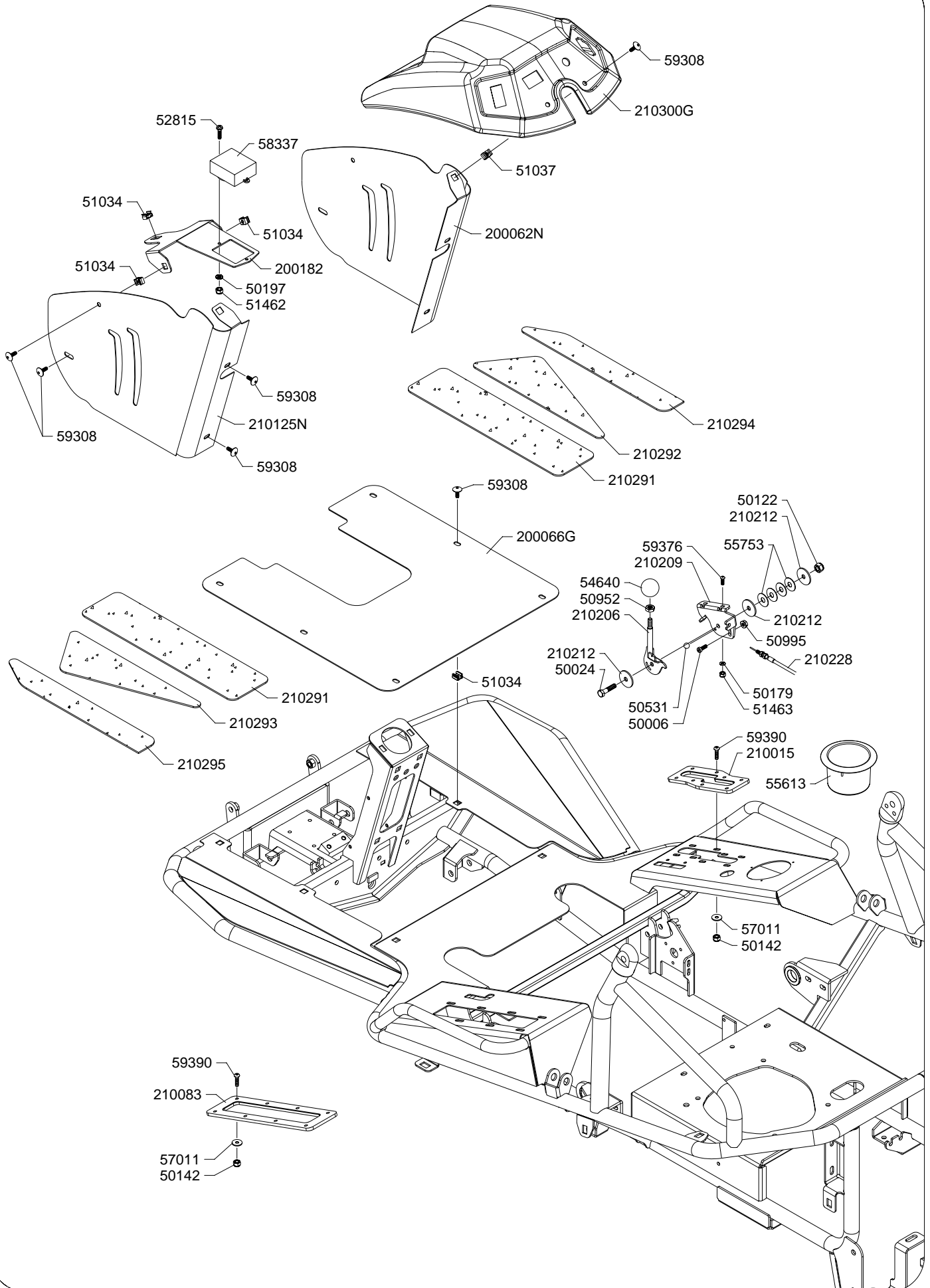
CL10 AWD



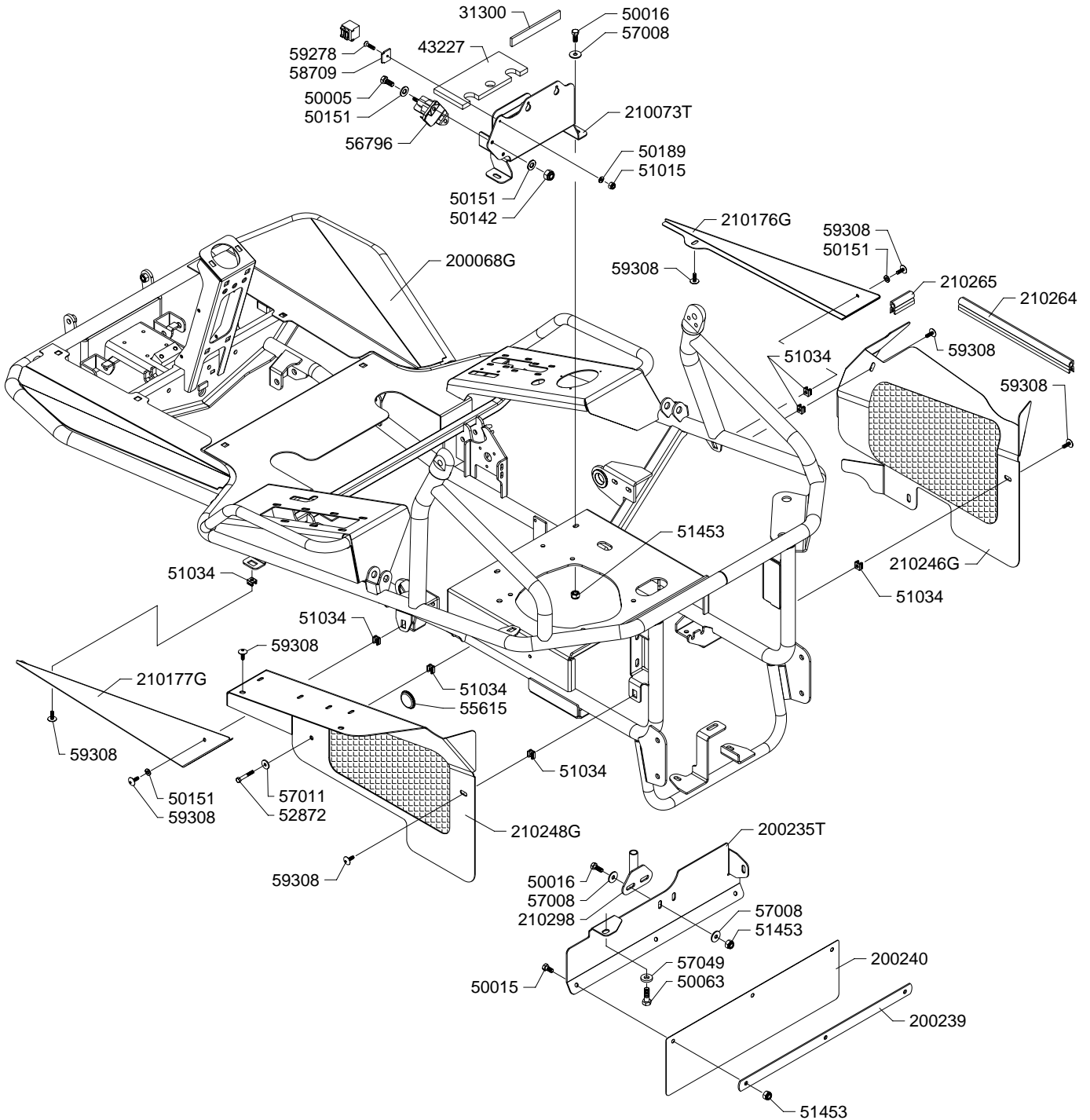
CL10 AWD



CL10 AWD 27



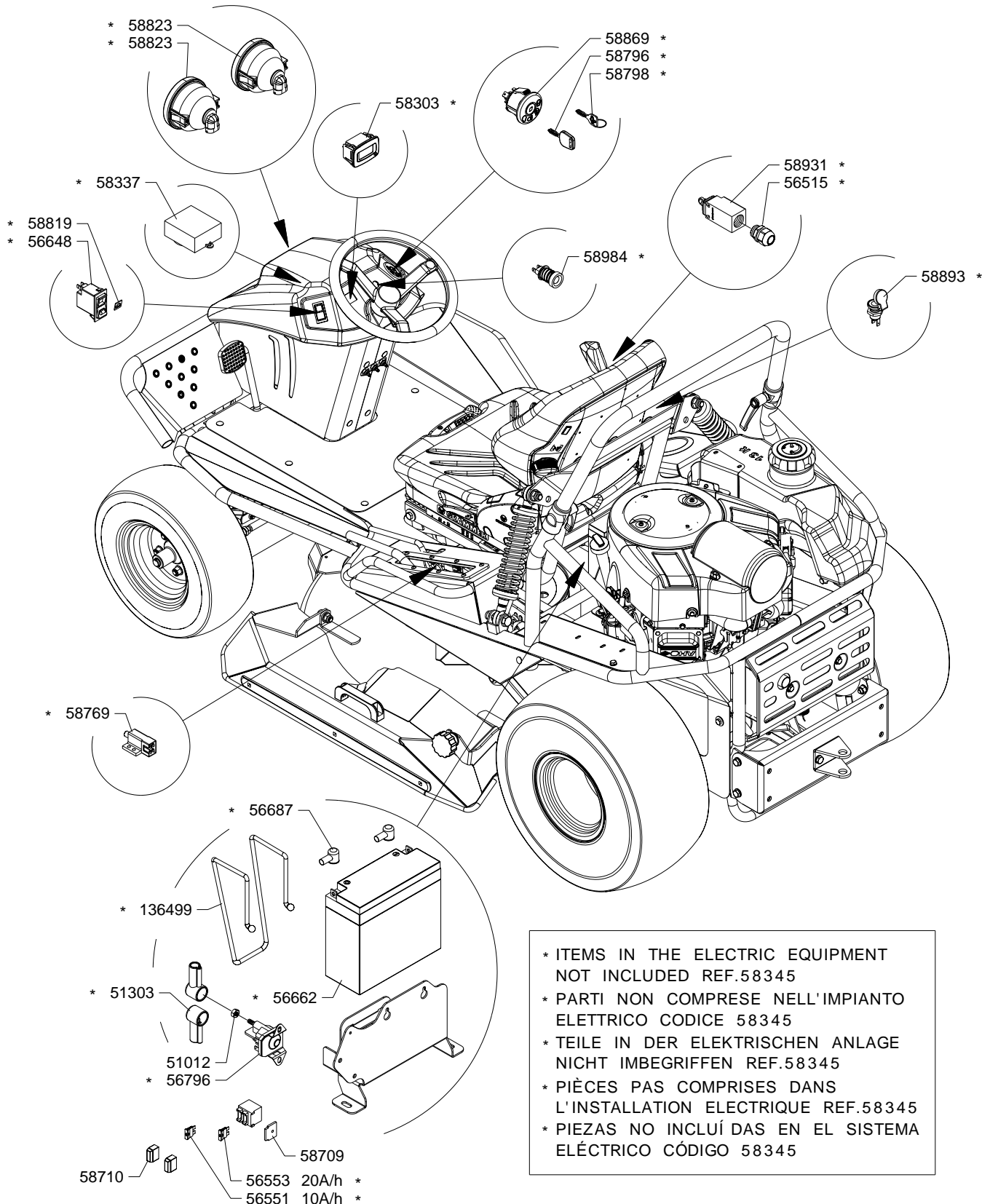
CL10 AWD



## CL10 AWD 27

HEAD LIGHTS WIRINGS  
CAVI DI CABLAGGIO FANALI  
KABELBAUM LICHTER  
CABLAGE FEUX  
CABLEADO FAROS  
58356

ELECTRIC EQUIPMENT  
IMPIANTO ELETTRICO COMPLETO  
EL.ANLAGE  
INSTALLATION ELECTRIQUE  
SISTEMA ELÉCTRICO COMPLETO  
58345



\* ITEMS IN THE ELECTRIC EQUIPMENT NOT INCLUDED REF.58345  
\* PARTI NON COMPRESSE NELL'IMPIANTO ELETTRICO CODICE 58345  
\* TEILE IN DER ELEKTRISCHEN ANLAGE NICHT IMBEGRIFFEN REF.58345  
\* PIÈCES PAS COMPRISES DANS L'INSTALLATION ELECTRIQUE REF.58345  
\* PIEZAS NO INCLUÍ DAS EN EL SISTEMA ELÉCTRICO CÓDIGO 58345