



# Grillo

AGRIGARDEN MACHINES



02416 - 15

ROTAVATORS  
MOTOZAPPE  
MOTOBINEUSES  
MOTORHACKEN  
MOTOAZADAS

## G Z1

OPERATOR'S MANUAL AND SPARE PARTS  
MANUALE DELL'OPERATORE MANUALE RICAMBI  
MANUEL D'UTILISATION ET PIECES DETACHEES  
BEDIENUNGSANLEITUNG UND ERSATZTEILLISTE  
MANUAL DE INSTRUCCIONES Y PIEZAS DE REPUESTO

**SUMMARY**

Safety rules	1
Instructions	
Warnings	4
Identification and servicing	5
Technical specifications	6
Putting the machine into service	6
Instructions for use	6
Maintenance and lubrication	8
Illustrations	29
EC Declaration of conformity - Noise and vibrations levels	

**INDICE**

Norme antinfortunistiche	1
Istruzioni	
Avvertenze	9
Identificazione e assistenza	10
Caratteristiche tecniche	11
Messa in opera della macchina	11
Istruzioni d'uso	11
Manutenzione e lubrificazione	12
Figure	29
Certificato di conformità CE - Rumorosità e livelli di vibrazione	

**INDEX**

Règles de sécurité	1
Instructions	
Mises en garde	14
Identification et assistance	15
Caractéristiques techniques	16
Mise en service de la machine	16
Mode d'emploi	16
Maintenance et lubrification	17
Illustrations	29
Certificat de conformité CE - Niveaux sonores et de vibration	

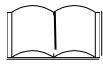
**INHALTSÜBERSICHT**

Sicherheitsvorschriften	1
Anleitung	
Sicherheitsrelevante Hinweise	19
Identifikation der Maschine und Kundendienst	20
Technische Daten	21
Inbetriebnahme der Maschine	21
Betriebsanleitung	21
Wartung und Schmierung	22
Abbildungsverzeichnis	29
EG-Konformitätserklärung - Geräuschemission und Vibrationspegel	

**ÍNDICE**

Normas de seguridad	1
Instrucciones	
Advertencias	24
Identificación y asistencia	25
Características técnicas	26
Puesta en servicio de la máquina	26
Instrucciones de uso	26
Mantenimiento y lubricación	27
Indice de ilustraciones	29
Certificado de conformidad CE - Niveles de ruido y vibración	

**SAFETY SYMBOLS - SIMBOLOGIA PER LA SICUREZZA - SYMBOLOGIE POUR LA SECURITE -  
SICHERHEITSSYMBOL- SIMBOLOGÍA DE SEGURIDAD**



**OPEN MANUAL**- means that you must read the operator's manual very carefully.

**MANUALE APERTO** - significa che dovete leggere attentamente il manuale di uso e manutenzione.

**MANUEL OUVERT** – signifie qu'il faut lire avec attention le présent manuel.

**OFFENES HANDBUCH** – bedeutet, dass Sie die Gebrauchs- und Wartungsanleitung aufmerksam durchlesen müssen.

**MANUAL ABIERTO** – es decir que hay que leer muy atentamente el manual del operador.



**CAUTION!** - means that you have to pay particular attention to the operation you have to carry out, in particular if there is the indication "DANGER".

**ATTENZIONE!** - significa che dovete porre particolare attenzione all'operazione che dovete effettuare, in particolare se vi è anche l'indicazione di "Pericolo".

**ATTENTION!** - signifie qu'il faut faire particulière attention dans l'opération que vous allez faire, en particulier s'il y a aussi l'indication "DANGER".

**VORSICHT!** - bedeutet, dass Sie besondere Aufmerksamkeit beim Durchführen des Vorgangs haben müssen, insbesondere wenn auch der Hinweis "GEFAHR" aufgeführt ist.

**ATENCIÓN!** - es decir que hay que poner mayor atención en la operación a ejecutar si, en particular cuando hay también la indicación "Peligro".



**INTERDICTION, YOU MUST NOT DO THAT!** - means that it is absolutely forbidden to carry out the operations reported under this symbol because they could lead to mortal danger.

**DIVIETO, NON FARE!** - significa che non dovete assolutamente fare le operazioni riportate sotto questo simbolo, potrebbe comportare un pericolo mortale.

**INTERDICTION, NE PAS FAIRE!** - signifie qu'il est absolument interdit d'effectuer les opérations reportées sous cette indication, car elles pourraient conduire au danger de mort.

**VERBOT, strengstens untersagt!** - bedeutet, dass der Vorgang unter diesem Symbol absolut nicht durchgeführt werden darf, da er zur einer lebensgefährlichen Situation führen könnte.

**PROHIBICIÓN, NO LO HAGAN!** - es decir que no hay que hacer absolutamente las operaciones bajo este símbolo, podría comportar un peligro mortal.



**NOTE**, you have to pay particular attention to the note put next to this symbol

**NOTA**, dovete porre particolare attenzione alla nota posta accanto a questo simbolo.

**NOTE**, il faut faire attention particulière à la note mise à côté de ce symbole.

**ANMERKUNG**, besondere Aufmerksamkeit muss auf die Anmerkungen neben diesem Symbol gelenkt werden.

**NOTA**, hay que poner atención particular en la nota puesta a lado de este símbolo.



You must not repair nor lubricate the machine with moving parts or with the engine put on.

Non riparare o lubrificare la macchina con organi in movimento o motore acceso

Ne pas réparer ou lubrifier la machine avec des parties en mouvement ou à moteur en marche.

Niemals bei bewegenden Objekten oder bei laufendem Motor Reparationen oder Einschmierungen durchführen.

No reparar ni lubricar la máquina con órganos en movimiento o motor en marcha.



You must not smoke, light matches or lift flames, trigger frames nor cause sparks.

Vietato fumare, accendere fiammiferi o fiamme, lasciare fiamme libere o creare scintille.

Il est interdit de fumer, allumer des allumettes ou du feu, laisser des flammes libres ou de causer des étincelles.

Es ist untersagt zu Rauchen, Streichhölzer oder Feuer anzuzünden, Flammen auslösen oder Funken verursachen.

Prohibido fumar, encender cerillas o fuego, dejar llamas o crear chispas.



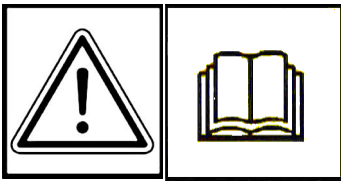
Use personal protective equipment

Utilizzare mezzi di protezione individuali

Utilisez l'équipement de protection individuelle

Individuelle Schutzausrüstung benutzen

Utilizar dispositivo de protección individual



## GENERAL SECURITY RULES

### NORME DI CARATTERE GENERALE SULLA SICUREZZA

### SICHERHEITSHINWEISE

### RÈGLES GÉNÉRALES DE SÉCURITÉ

### NORMAS DE CARÁCTER GENERAL SOBRE LA SEGURIDAD

### NORMAS DE CARÁCTER GENERAL ACERCA DA SEGURANÇA

Pay attention to symbol **DANGER!** It points out all most dangerous operations according to the situation. All safety rules are important and therefore must be strictly observed. Always keep this handbook within the reach, read it carefully and learn how to use the equipment in a safe way. Let nobody, not provided with necessary information, work with the equipment.

*Fare attenzione al simbolo **PERICOLO!** Esso indica la presenza delle principali situazioni di pericolo. Tutte le norme antinfortunistiche contenute sono importanti e vanno rispettate. Tenere sempre questo manuale a portata di mano, leggerlo attentamente ed imparare ad usare l'attrezzatura in modo sicuro. Non permettere che qualcuno operi con questa attrezzatura senza aver ricevuto istruzioni esaurienti.*

Attention au symbole **DANGER!** Il indique la présence des principales situations de danger. Toutes les normes contenues pour la prévention des accidents sont importantes et doivent être respectées scrupuleusement. Garder toujours ce manuel à la portée de la main, le lire attentivement et apprendre à utiliser ce matériel en toute sécurité. Ne pas permettre que d'autres personnes utilisent ce matériel sans avoir reçus des instructions exhaustives.

*Achtung - die mit dem Symbol **GEFAHR!** gekennzeichneten Hinweise weisen auf potentielle Gefahrensituationen hin. Alle sicherheitsrelevanten Hinweise in diesem Handbuch sind sehr wichtig und müssen unbedingt befolgt werden. Bewahren Sie dieses Handbuch stets griffbereit auf, lesen Sie es aufmerksam durch, und lernen Sie, die Maschine und die gesamte Ausrüstung sicher zu benutzen. Die Maschine darf nur von Personen benutzt werden, die vorher entsprechend unterwiesen wurden.*

Preste atención al símbolo **¡PELIGRO!** Indica la presencia de situaciones importantes de peligro. Todas las normas de prevención de accidentes detalladas son importantes y deben respetarse estrictamente. Conserve este manual al alcance de la mano, léalo atentamente y aprenda a utilizar el equipamiento de modo seguro. No permita que otras personas operen con este equipamiento sin haber recibido instrucciones exhaustivas.

	<p>Take special care not to touch hot parts of the engine.</p> <p>Prestate particolare attenzione a non entrare in contatto con parti surriscaldate del motore.</p> <p>Veiller tout particulièrement à ne pas toucher des éléments surchauffés du moteur.</p> <p>Achtung – keine heißen Motorteile berühren!</p> <p>No tocar partes recalentadas del motor.</p> <p>Tome muito cuidado para não entrar em contacto com as partes aquecidas do motor.</p>
	<p>Engine exhaust fumes can cause sickness or death. If it is necessary to run an engine in an enclosed area, use an exhaust pipe extension to remove the fumes. Always try to work in a well ventilated area.</p> <p>I gas di scarico possono causare malanni o morte. Se è necessario mettere in moto un motore in uno spazio chiuso, usare una prolunga tubo di scarico per far uscire il fumo. Lavorare in una zona ben ventilata.</p> <p>L'exhalation des gaz d'échappement peut être cause d'intoxication ou de mort. S'il est vraiment nécessaire d'allumer le moteur à l'intérieur, appliquer au tuyau d'échappement un autre tuyau extensible pour permettre la sortie des gaz. Il est toujours mieux de travailler en plein air.</p> <p>Auspuffgase können Übelkeit oder Tod verursachen. Wenn es notwendig ist, einen Motor in einem geschlossenen Raum laufen zu lassen, benutzen Sie eine Verlängerung, um das Auspuffgas abzuleiten. Versuchen Sie immer in einem gut belüfteten Raum zu arbeiten.</p> <p>Los gases de escape pueden provocar enfermedades o muerte. De tener que poner en marcha un motor en un espacio cerrado, usar una prolongación del tubo de escape para que salga el humo. Trabajar en una zona bien ventilada.</p> <p>Os gases de escape podem causar danos ou morte. Caso seja necessário fazer com que o motor funcione num espaço fechado, utilize uma extensão para o tubo de escape que os fumos sejam expulso para o exterior. Trabalhe numa área bem ventilada.</p>
	<p>Handle fuel with care, it is highly flammable: Do not refuel machine while smoking, when machine is near an open flame or sparks, or when the engine is running. Stop the engine.</p> <p>Maneggiare il carburante con cura, è altamente infiammabile; non fate rifornimento mentre fumate, o vicino a fiamme o scintille, o quando il motore è acceso.</p> <p>Manier avec soin le carburant car c'est très inflammable. Ne pas remplir le réservoir si vous êtes en train de fumer ou pendant que la machine est près du feu ou d'étincelles ou encore pendant que la machine travaille. Arrêter le moteur.</p> <p>Treibstoff vorsichtig handhaben, da er sehr entzündbar ist: beim Tanken nicht rauchen. Nicht tanken, wenn die Maschine in der Nähe von Flammen oder Funken ist oder wenn der Motor läuft. Immer den Motor abschalten.</p> <p>Manejar el combustible con cuidado porque es sumamente inflamable; no repostar mientras se fuma o cerca de llamas o chispas, o cuando el motor está encendido.</p> <p>Manuseie o carburante com cuidado, pois este é altamente inflamável; não fume durante o abastecimento da máquina ou enquanto o motor estiver ligado, não o aproximado de chama ou de faíscas.</p>

<div data-bbox="129 91 387 174" style="background-color: #cccccc; padding: 5px;"><b>⚠ DANGER</b></div> 	<p><b>WARNING! SHARP PARTS.</b> Keep hands and feet away. Do not operate the mower over gravel or foreign bodies which may be sucked up and ejected by the blades, generating a danger. Keep people away. Remove the key and read the instruction manual before attempting to carry out any maintenance or repairs to the machine.</p> <p><b>ATTENZIONE! ORGANO TAGLIENTE.</b> Tenere lontano mani e piedi. Non lavorare col rasaerba sopra alla ghiaia o corpi estranei che possono essere aspirati e centrifugati dalle lame risultando molto pericolosi, tenere lontano le persone. Togliere la chiave e leggere le istruzioni prima di effettuare qualsiasi operazione di manutenzione e riparazione.</p> <p><b>ATTENTION! ORGANE TRANCHANT.</b> Éloigner les mains et les pieds. Ne pas utiliser la tondeuse sur le gravier ou sur des corps qui peuvent être aspirés et centrifugés par les lames et devenir très dangereux. Les personnes doivent se trouver à une certaine distance. Enlever la clé et lire les instructions avant toute opération de maintenance et de réparation.</p> <p><b>ACHTUNG! SCHARFE KLINGEN.</b> Hände und Füße fernhalten. Beim Mähen nicht über Schotter, Steine oder andere Fremdkörper fahren, da diese durch die Drehbewegung der Messer angesaugt und weggeschleudert werden können (Verletzungsgefahr). Nicht in der Nähe von anderen Personen mähen. Vor jedem Wartungs- bzw. Reparaturreingriff den Startschlüssel abziehen und die Gebrauchsanleitung durchlesen.</p> <p><b>¡PELIGRO! ÓRGANO CORTANTE.</b> Mantener alejados los pies y las manos. No limpiar la herramienta con el motor en marcha. ¡Peligro! Expulsión de objetos: mantener alejadas a las personas. Atención: quitar la llave y leer las instrucciones antes de efectuar cualquier operación de mantenimiento o reparación.</p> <p><b>ATENÇÃO! Órgão cortante.</b> Ficar longe com pés e mãos. Não trabalhar com a máquina sobre cascalho ou objetos que podem ser aspirados e centrifugados gerando perigo, manter-se longe das pessoas. Tirar a chave de ignição e ler as instruções antes de efetuar qualquer operação de reparo ou serviço.</p>
	<p><b>Warning!</b> Cutting edges, keep your hands and feet away. Do not clean the attachment when the engine is running.</p> <p><b>Attenzione!</b> Organo tagliente, tenere lontano piedi e mani. Non pulire l'attrezzo col motore in moto.</p> <p><b>Attention!</b> Organe tranchant, ne pas approcher main et pieds. Ne pas nettoyer le moteur quand le moteur est en marche.</p> <p><b>Achtung!</b> Schneidende Klinge, Hände und Füße fernhalten. Niemals bei laufendem Motor reinigen.</p>
	<p><b>DANGER!</b> READ THE INSTRUCTION MANUAL. KEEP SAFETY DISTANCES.</p> <p><b>PERICOLO!</b> LEGGERE IL MANUALE D'ISTRUZIONE. TENERE LONTANO LE PERSONE.</p> <p><b>DANGER!</b> LIRE LE MANUEL D'INSTRUCTIONS. RESPECTER LES DISTANCES DE SÉCURITÉ</p> <p><b>GEFAHR!</b> DIE GEBRAUCHS ANLEITUNG DURCHLESEN. NICHT IN DER NÄHE VON ANDEREN PERSONEN MÄHEN.</p> <p><b>PELIGRO!</b> LEER LAS INSTRUCCIONES. MANTENER ALEJADAS LAS PERSONAS.</p> <p><b>PERIGO!</b> LER O MANUAL DE INSTRUÇÕES. MANTER AS PESSOAS AFASTADAS.</p>
	<p>Before using the machine, it is mandatory to put on the appropriate individual safety devices: body protection, protection gloves, security shoes, ear protection.</p> <p>Prima di utilizzare la macchina, è obbligatorio indossare gli appositi dispositivi di sicurezza individuali: protezione del corpo, guanti di protezione, calzature di sicurezza, protezione dell'udito.</p> <p>Avant d'utiliser la machine, il est obligatoire de mettre les dispositifs individuels de sécurité appropriés: protection du corps, gants de protection, chaussures de sécurité, protection de l'ouïe.</p> <p>Vor dem Gebrauch der Maschine ist es vorgeschrieben, die geeignete persönlichen Schutzkleidung anzuziehen: Körperschutz, Schutzhandschuhe, Sicherheitsschuhe, Gehörschutz.</p> <p>Antes de utilizar la máquina es obligatorio ponerse los dispositivos individuales de seguridad apropiados: protección del cuerpo, guantes de protección, calzado de seguridad, protección del oído.</p>

# ROTAVATOR GZ1

Dear Customer,  
thank you for choosing a Grillo rotavator. We are sure that our machine's performance will satisfy you in all respects. For the best results and maintenance over time, read this handbook carefully and follow the instructions to the letter; this will also avoid unnecessary expense. Keep this handbook with the machine at all times.

## GENERAL DESCRIPTION AND INTENDED USE

The rotavator is a single-axle self-propelled machine usually equipped with a rotary tiller for tilling soil. These machines are used primarily to prepare the soil (elimination of weed, tilling of the soil) and used in gardening, for small ground work, refinement work and orchard inter-rows.

The machine is built on a chassis and fitted with either a petrol or diesel engine that drives a rotary tiller. The Grillo rotavator is a pedestrian-controlled machine, the operator steers the machine via the handle-bar where the controls are mounted.



**CAUTION! Before starting the engine, read this carefully. The following warnings are very important in ensuring safety!**

## WARNINGS

Caution is the main safeguard in preventing accidents!

Improper use of the rotavator and its equipment can be dangerous; to reduce the risks to the minimum, observe the necessary precautions set out below:

- 1) Read the whole of this manual before starting the machine or putting it in motion.
- 2) Pay special attention to the safety warnings and labels.
- 3) Rotation of the tiller is extremely dangerous; **Never place your hands or feet under the tiller!**
- 4) Before other people are allowed to use the machine they must first be informed about the safety regulations and how to use the vehicle.
- 5) Before starting the engine, make sure that there is no-one nearby, particularly children.
- 6) Never use the machine when tired and do not drink alcohol.
- 7) Check the ground before tilling for stones, sticks or foreign bodies which might damage the machine or be flung dangerously to some distance during operation.
- 8) **Before starting work, put on suitable working clothes, gloves, heavy footwear and goggles.**
- 9) Never use the rotavator on steep slopes; it might tip over.
- 10) Never allow the machine to be used by anyone under 16 years of age.
- 11) It is dangerous to operate the levers sharply with the engine at maximum r.p.m.
- 12) Never keep the engine running indoors; you may inhale poisonous gases.
- 13) Always switch off the engine before filling up with fuel, keep away from sparks or flames and do not smoke!
- 14) Avoid fuel spills and after filling the tank clean all spills before starting the engine.
- 15) Store fuel in containers specially constructed for this purpose.
- 16) Work only in sunlight or with good artificial light.

## IMPROPER USES TO BE AVOIDED

17) Any improper uses causes the warranty to become null and void and the constructor will decline all liability.

## FURTHER SAFETY ADVICES

- 18) **Never tamper with or deactivate the safety devices.**
- 19) **Never make any adjustments or do any cleaning with the engine running.**
- 20) **Never have anyone check the machine while you are driving with the engine running.**
- 21) The user is always responsible for injury or damage to third parties.
- 22) Misshapen or damaged hoes must always be replaced and never repaired.
- 23) Always use original Grillo spare parts.

- 24) Before starting any work with the machine, check that all the accident prevention systems with which it is equipped are in perfect working order. They must never be disabled or tampered with.
- 25) Before starting work, check that the nuts and bolts securing the tiller and hoes are perfectly tight.
- 26) All protective fittings (hoods, mudguards, etc.) must be kept in place during operation.
- 27) Never clean the tiller with the engine running.
- 28) Never use the machine barefoot.
- 29) Never change the engine settings, especially the maximum r.p.m.
- 30) Allow the engine to cool before placing the machine indoors.
- 31) CAUTION: to reduce the risk of fire, keep the engine, the exhaust pipe and the exhaust manifolds free from grass, leaves, dust, etc...
- 32) If you have to empty the fuel tank, do this outdoors.
- 33) Rotavator must be driven by only one operator.

## IDENTIFICATION AND AFTER-SALES SERVICE



The rotavator is fitted with a nameplate on the frame with the serial number of the machine. Always state the serial number when ordering spare parts or asking for technical support.

### AFTER-SALES SERVICE

This handbook provides instructions for use of the motor hoe and for correct basic servicing which the user can carry out himself. For all procedures not described in this handbook, contact your local dealer.

### SPARE PARTS

Always use original spare parts, as they are the only ones to offer complete safety and interchangeability. Always state the serial number of the machine and the code number or the part to be replaced when ordering. For engine parts, refer to the specific handbook.

### GUARANTEE

The guarantee is given in compliance with the current law. The dealer will have to give the client a copy of the registration card of the machine, which they will print up from the Grillo website. For the engine the guarantee of the relative manufacturers apply.

### ORDERING SPARE PARTS

Always state the machine serial number and the code number of the part to be replaced. Contact your local dealer. For further information, our address is:

GRILLO S.p.A.  
Via Cervese 1701 - 47521 CESENA (FC) - ITALY  
Tel. 0039 / 0547 / 633111 - Fax 0039 / 0547 / 632011  
Web site: [www.grillospa.it](http://www.grillospa.it) - E-mail: [grillo@grillospa.it](mailto:grillo@grillospa.it)

### RECOMMENDED SPARE PARTS TO HAVE AT DISPOSAL

- 1 throttle lever
- 1 tiller engagement cable

## TECHNICAL SPECIFICATIONS

**ENGINE:** BRIGGS & STRATTON **575EX** OHV 140cc 3HP (Net power SAE J 1349) one-cylinder petrol engine, silenced muffler, paper air filter

**STARTER:** recoil starter with Ready Start device

**FUEL TANK:** 0,8 Litres

**GEARBOX:** single speed

**TRANSMISSION:** endless screw in oil bath

**CLUTCH:** active coupling

**HANDLEBAR:** height and side – adjustable

**STANDARD ROTARY TILLER:** with 4 tines and side discs for a total width of 570 mm.

**HOES DIAMETRE:** 280 mm.

**WORKING DEPTH:** 280 mm.

**ROTARY TILLER R.P.M.:** 155 r.p.m.

**SAFETY DEVICES:** if the handlebar is released the machine stops; mudguards and handlebars compliant with the current laws and muffler protection.

### TRANSPORT WHEEL INCLUDED

**WEIGHT:** 35 kg

## PUTTING THE MACHINE INTO SERVICE

- Check that the machine has not been damaged during transport.
- Remove the plate (fig. 2, A)
- Raise the handlebar and turn it through 90°.
- Gently press on the frame to mount it in working position. If necessary loosen the lower screw (fig. 2A, D). Then insert and tighten the screws again (fig. 2A, C-D).
- Mount the spur on the frame (fig. 3 – fig. 3A).
- Fix the frame to the gearbox (fig. 4).
- Complete the handlebar rotation and put the controls back in vertical position. Add the cable ties on the right side (fig. 4B).
- Fill in the engine oil (always refer to the engine manual)
- Fill the tank with fuel (fig.1 ref. 3).

## INSTRUCTIONS FOR USE

### BEFORE STARTING THE ENGINE

- check that the air filter is clean (fig. 5).
- check the engine oil level (fig. 6).

### STARTING THE ENGINE

- Set the throttle lever in the FAST position (max.).
- Start the engine by pulling the pull-start handle (fig.1 no.6).
- Once the engine is running return the throttle lever almost to the minimum setting.

### STARTING WORK

- Adjust the height and side position of the handlebar to get the best working position using the knob (fig. 1 no.4)
- Adjust the working depth by lowering or raising the rear spur (fig. 3)
- Pull the transfer wheel support to the front and set it into a higher position (fig.8)
- Accelerate the engine (fig.1, no. 2)
- Press the forward lever (fig. 1, no.1): the machine starts working.



## **FINISHING WORK**

- To stop the machine release the forward lever (fig. 1, no.1)
- Switch off the engine by setting the throttle lever to the STOP position.

## **MAINTENANCE AND LUBRICATION**

### **CAUTION!**

- **Disconnect the plug before performing any cleaning, maintenance or repair operation. Always wear suitable clothing and working gloves.**
- **When the machine or part of it is lifted to carry out maintenance operations, always remember to use suitable fixing tools such as holders and safety locks.**
- **When carrying out maintenance operations and/or when the machine is tilted without safety locks or supports, never leave it unguarded in places where inexperienced people and children could have easy access to it.**
- **Protect the environment: carefully dispose of used oils, petrol and any other pollutant product!**
- **Effective maintenance and correct lubrication help to keep the machine fully efficient.**

The motor hoe has been developed to require very little servicing. Nonetheless to keep the machine at its top performances please carry out the following operations:

- Carefully follow the instructions given in the engine manual. It is necessary to check the oil level every 4 working hours and change it about every 50 hours. Refer to the engine manual for the kind of oil which is needed.
- Adjust the belt tension using the register placed on the lever (fig.1 no.8).
- Clean the air filter every 4 hours (fig. 5) or more frequently in very dusty environments

### **GEARBOX OIL**

Check the level every 50 working hours (fig.7,A). The oil level must exceed the oil level cap. Use BLASIA 220 S synthetic oil quantity 250 gr. Fill the oil through the cap (fig.7, A) Replace the oil every 100 hours.

### **USEFUL HINTS FOR PROPER USE**

- 1) Never leave the machine out in the rain.
- 2) Do not strain the gear selector if the gears do not engage at once but work the clutch slightly while engaging it.
- 3) Never strain the engine too much; in case of excessive smoke from the exhaust pipe the engine is under strain: reduce speed.
- 4) Never work at full speed.
- 5) Remove any leaves and grass which accumulate on the mesh around the drive pulley.

### **END OF SEASON MAINTENANCE**

Wash the machine carefully and change the engine and gearbox oil. Sharpen the hoes and grease them. If they are worn out they have to be replaced.

### MAINTENANCE SUMMARY TABLE

PROCEDURE	EVERY 8 HOURS	AFTER 20 HOURS	EVERY 50 HOURS	EVERY 100 HOURS	EVERY 200 HOURS
Engine oil check the level	•				
change	• (after the first 5 hours)		•		
Air filter check	•				
replace			•		
Gearbox oil Check the level			•		•
replace				•	
Check that the engine intake grid is clean	•				
Check that tines are well-sharpened and well-fixed		•	•		

• recommended procedure

\* **procedure to be carried out if necessary**

#### LONG PERIODS OF STORAGE

If the machine is to be out of use for more than 30 days, drain the fuel from the engine to prevent sticky deposits from forming in the fuel intake system or in vital parts of carburettor. To avoid this procedure, it is possible to save fuel in storage up to 12 months by using an appropriate fuel stabilizer. Add the such additive to the fuel in the tank or in the fuel container. Run the engine for a while to let the stabilizer get into the fuel system. Important: if the engine is fed with petrol containing alcohol, drain the fuel tank and run the engine until there is no fuel left.

#### TRANSPORTING THE MACHINE

If the rotavator has to be transported on a lorry or a trailer, fasten it to the vehicle using ropes or cables.

### IMPLEMENTS

#### FURROWER

The furrower (fig. 8) has been developed to perform both seed and irrigation furrows. It has to be fitted at the place of the spur and it works together with the rotary tiller.

# MOTAZAPPA GZ1

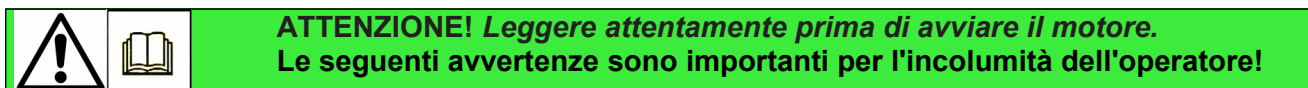
Gentile Cliente,

nel ringraziarla per la fiducia e la preferenza accordata alla nostra motozappa, confidiamo che l'uso di questa nuova macchina risponda pienamente alle sue esigenze. Per l'impiego ottimale e per la sua manutenzione nel tempo, la preghiamo di leggere attentamente e seguire scrupolosamente le indicazioni di questo libretto; ciò le consentirà di ottenere i massimi risultati e salvaguardare la sua spesa.

La preghiamo di conservare questo libretto, che dovrà sempre accompagnare la macchina.

## DESCRIZIONE GENERALE E USO PREVISTO

La motozappa è una macchina agricola semovente ad un solo asse, normalmente equipaggiata con una fresa per la lavorazione del terreno. Queste macchine sono impiegate per effettuare lavori di preparazione del terreno (eliminazione di infestanti, fresatura) e impiegate per piccole superfici, lavori di rifinitura e nell'orticoltura. La macchina è costituita da un telaio portante, sul quale è installato un motore a scoppio che aziona una fresa. La macchina è comandata da un operatore a terra che segue il movimento della stessa guidandola mediante un manubrio, su cui sono dislocati i comandi.



## AVVERTENZE

La prudenza è l'arma principale nella prevenzione degli incidenti!

L'uso improprio della motozappa e il suo equipaggiamento può risultare dannoso; per ridurre queste possibilità osservare le precauzioni necessarie di seguito riportate:

- 1) Leggere questo manuale interamente, prima di accendere e mettere in movimento la motozappa.
- 2) Dare particolare attenzione alle ammonizioni e alle etichette di sicurezza attorno alla macchina.
- 3) La rotazione della fresa è altamente pericolosa, **non mettere mai le mani o i piedi sotto alla fresa.**
- 4) Prima di fare lavorare con la motozappa altre persone bisogna metterle al corrente delle norme di sicurezza e di come si usa la macchina.
- 5) Prima di accendere la motozappa verificare che non ci siano persone intorno; specialmente bambini.
- 6) Non usare la motozappa quando si è affaticati e non bere alcolici.
- 7) Controllare il terreno prima di procedere alla fresatura, che non vi siano sassi, bastoni o corpi estranei, che potrebbero danneggiare la macchina o essere scagliati lontano, e quindi molto pericolosi.
- 8) **Prima di iniziare il lavoro, indossare indumenti appropriati da lavoro, guanti, scarponi, occhiali.**
- 9) Non usare la motozappa su forti pendenze, si potrebbe ribaltare.
- 10) Non fare lavorare ragazzi troppo giovani; è vietato l'uso ai minori di 16 anni.
- 11) È pericoloso azionare le leve bruscamente, col motore a massimo regime.
- 12) Per evitare il pericolo di esalazioni velenose, non adoperare il motore acceso in un locale chiuso.
- 13) Spegnerne sempre il motore prima di fare rifornimento di combustibile, stare lontano da scintille o fiamme, non fumare!
- 14) Evitare fuoriuscite di combustibile e dopo aver riempito il serbatoio pulire ogni fuoriuscita prima di avviare il motore.
- 15) Immagazzinare il carburante in contenitori specificatamente costruiti con questo obiettivo.
- 16) Lavorare solo con la luce del sole o con buona luce artificiale.

## USI IMPROPRI DA EVITARE

17) Ogni utilizzo improprio comporta il decadimento della garanzia ed il declino di ogni responsabilità del costruttore.

## ULTERIORI ACCORGIMENTI PER LA SICUREZZA

18) Non manomettere o disattivare i dispositivi di sicurezza.

19) Non fare nessun tipo di regolazione o pulizia col motore in moto.

20) Non fare controllare la macchina da nessuno mentre siete alla guida col motore in moto.

21) L'utilizzatore è sempre responsabile dei danni arrecati a terzi.

22) Le zappe deformate o danneggiate devono essere sempre sostituite, mai riparate.

23) Usare sempre ricambi originali Grillo.

24) Prima di cominciare qualsiasi lavoro con la macchina, verificare che tutti i sistemi antinfortunistici, di cui essa è dotata, siano perfettamente funzionanti. È severamente vietato escluderli o manometterli.

25) Prima di iniziare il lavoro, controllare che le viti e i dadi di bloccaggio della fresa e delle zappette siano perfettamente serrati.

26) L'attrezzatura protettiva (cofani, parafanghi, ecc.), va assolutamente mantenuta durante i lavori di zappatura.

27) Non pulire la fresa con il motore acceso.

28) Non utilizzare la macchina a piedi nudi.

29) Non cambiare le regolazioni del motore, in modo particolare il numero di giri massimo.

30) Far raffreddare il motore prima di mettere la macchina in locali chiusi.

31) **ATTENZIONE:** per ridurre il pericolo di incendio mantenere il motore, la marmitta e i collettori di scarico liberi da erba, foglie, polvere ecc..

32) Se dovete svuotare il serbatoio carburante eseguite l'operazione all'aperto.

33) La macchina deve essere condotta da un solo operatore.

## IDENTIFICAZIONE E ASSISTENZA



La motozappa è fornita di una targhetta posta sul telaio con il numero di matricola della macchina. Questo numero è indispensabile per ogni richiesta di intervento tecnico e per l'ordinazione dei ricambi.

## SERVIZIO ASSISTENZA

Questo manuale fornisce le indicazioni per l'uso della motozappa e per una corretta manutenzione di base, eseguibile dall'utilizzatore. Per gli interventi non descritti in questo libretto, interpellare il Rivenditore di Zona.

## RICAMBI

Si raccomanda di impiegare esclusivamente ricambi originali, gli unici che offrono caratteristiche di sicurezza e intercambiabilità. Ogni richiesta deve essere corredata del numero di matricola.

Per i ricambi del motore, attenersi a quanto indicato nel libretto specifico.

## GARANZIA

La garanzia è fornita nei modi e nei limiti indicati dalla legge vigente. Il rivenditore dovrà obbligatoriamente consegnare il certificato di garanzia della macchina al cliente finale, stampando una copia della registrazione dal sito Grillo.

Per quanto riguarda il motore, valgono le condizioni previste dai rispettivi Produttori.

## COME ORDINARE I RICAMBI

Indicare sempre il numero di matricola della macchina e il numero di codice del pezzo da sostituire. Rivolgersi ai nostri centri ricambi. Il nostro indirizzo è:

GRILLO S.p.A.

Via Cervese 1701 - 47521 CESENA (FC)

Tel. 0547 / 633111 - Fax 0547 / 632011

Web site: [www.grillospa.it](http://www.grillospa.it) - E-mail: [grillo@grillospa.it](mailto:grillo@grillospa.it)

## RICAMBI CONSIGLIATI DA TENERE A DISPOSIZIONE

1) manettino acceleratore

1) filo innesto fresa

## CARATTERISTICHE TECNICHE

**MOTORE:** BRIGGS & STRATTON **575EX** OHV 140cc 3 HP (potenza netta SAE J 1349)  
monocilindrico a benzina, Ready Start, marmitta silenziata, filtro aria a cartuccia

**AVVIAMENTO:** a strappo con autoavvolgente

**SERBATOIO:** 0,8 litri

**TRASMISSIONE:** con vite senza fine a bagno d'olio

**CAMBIO:** monomarcia

**FRIZIONE:** ad innesto attivo

**STEGOLA:** regolabile in altezza e lateralmente

**FRESA STANDARD:** a 4 stelle con dischi laterali per una larghezza totale di 570 mm

**PROFONDITA' DI LAVORO:** 280 mm

**DIAMETRO ZAPPE:** 280 mm.

**GIRI FRESA AL MINUTO:** AV 155 giri /min.

**DISPOSITIVI DI SICUREZZA:** abbandonando le stegola la macchina si arresta – parafanghi e stegole a norma – protezione marmitta.

## RUOTINA DI TRASFERIMENTO DI SERIE

**PESO:** kg 35

## MESSA IN OPERA DELLA MACCHINA

- Verificare l'integrità della macchina e che non abbia subito danni durante il trasporto.
- Eliminare la piastrina (fig. 2, rif. A).
- Sollevare il manubrio e ruotarlo di 90°.
- Esercitare una leggera pressione per chiudere il telaio in posizione di lavoro. Se necessario allentare la vite inferiore (fig. 2A, rif. D). Inserire e stringere nuovamente le viti di fissaggio (fig. 2A, rif. C-D).
- Montare lo sperone sul telaio (fig. 3 – fig. 3A)
- Fissare il telaio al cambio (fig.4 )
- Completare la rotazione della stegola e riposizionare i comandi in posizione verticale. Aggiungere le fascette fermacavo sul lato destro (fig. 4B).
- Inserire l'olio motore (vedi apposito libretto)
- Riempire il serbatoio di carburante (fig.1 n.3).

## ISTRUZIONI D'USO

### PRIMA DI AVVIARE IL MOTORE

- Controllare che il filtro aria sia pulito (fig. 5).
- Controllare il livello olio motore (fig. 6).

### AVVIAMENTO DEL MOTORE

- Portare la leva gas nella posizione VELOCE (max.).
- Avviare il motore tirando con forza la manopola dell'autoavvolgente (fig. 1 n. 6)
- Avviato il motore, riportare la leva acceleratore quasi al minimo.

### INIZIO LAVORO

- Regolare in altezza il manubrio per adattarlo alla migliore posizione di lavoro agendo sul relativo pomello (fig. 1 n. 4)
- Regolare la profondità di lavoro abbassando o sollevando lo sperone posteriore (fig. 3)
- Tirare in avanti il supporto ruotino di trasferimento e posizionarlo in alto (fig. 8).
- Accelerare il motore (fig. 1 n.2).
- Premere la leva di avanzamento (fig. 1 n.1): la macchina si mette in movimento.

### FINE LAVORO

- Per fermare la macchina abbandonare la leva di avanzamento (fig. 1 n.1)
- Spegner il motore portando la leva acceleratore nella posizione STOP.

## MANUTENZIONE E LUBRIFICAZIONE

### ATTENZIONE!

- **Scollegare la candela prima di iniziare qualsiasi intervento di pulizia, manutenzione o riparazione. Indossare indumenti adeguati e guanti da lavoro.**
- **Qualora si sollevi la macchina o parte di essa, usare sempre strumenti idonei quali supporti o fermi di sicurezza.**
- **Non lasciare la macchina in manutenzione, priva di sicurezze o sollevata, in luoghi accessibili a persone inesperte, specialmente bambini.**
- **Non disperdere mai nell'ambiente olii esausti, benzina, gasolio ogni altro prodotto inquinante!**
- **Un'efficiente manutenzione e una corretta lubrificazione contribuiscono a mantenere la macchina in perfetta efficienza.**

La motozappa è progettata in modo da richiedere pochissima manutenzione. Pur tuttavia per mantenere la macchina al massimo del rendimento è opportuno eseguire le seguenti operazioni:

- Attenersi scrupolosamente alle norme contenute nel libretto motore. E' comunque indispensabile controllare il livello olio motore ogni 4 ore di lavoro e sostituirlo ogni 50 ore circa. Per il tipo di olio si veda il libretto motore.
- Regolare la tensione del filo avanzamento agendo sul registro (fig.1 n.8) posto sulla leva.
- Pulire ogni quattro ore il filtro dell'aria (fig. 5) o più frequentemente in caso di ambiente polveroso.

### OLIO TRASMISSIONE

Controllare il livello ogni 50 ore (fig. 7, rif. A). L'olio deve essere al di sopra del tappo di livello. Utilizzare olio cambio sintetico BLASIA 220S, quantità 250 gr. Per inserire l'olio svitare il tappo (fig. 7, rif. A). Sostituire l'olio ogni 100 ore.

### REGOLE UTILI PER UN BUON USO

- 1) Non lasciare mai la macchina sotto la pioggia.
- 2) Non forzare mai il cambio se la marcia non si inserisce: mentre si innesta la marcia dare dei piccoli colpi di frizione.

- 3) Non forzare mai troppo il motore, quando fuma eccessivamente dallo scarico, è sotto sforzo: occorre rallentare.
- 4) Non lavorare mai a tutto gas.
- 5) Togliere le eventuali foglie ed erbe che si depositano sulla reticella posta attorno alla puleggia del motore.

### MANUTENZIONE DI FINE STAGIONE

Lavare la macchina con cura; sostituire l'olio nel motore. Affilare le zappe ed ungerle; se risultano consumate è bene sostituirle.

### TABELLA RIASSUNTIVA MANUTENZIONE

OPERAZIONE	OGNI 8 ORE	PRIME 20 ORE	OGNI 50 ORE	OGNI 100 ORE	OGNI 200 ORE
Olio motore    Controllare il livello	•				
Cambiare	• (dopo le prime 5 ore)		•		
Filtro aria      Controllare	•				
Sostituire			•		
Olio cambio    Controllare il livello			•		•
Sostituire				•	
Controllare che la griglia aspirazione motore sia ben pulita	•				
Controllare affilatura e fissaggio zappe		•	•		

• operazione raccomandata

\* **operazione da eseguire se necessario**

### RIMESSAGGIO E INATTIVITA' PROLUNGATA

Se la macchina non viene utilizzata per più di 30 giorni occorre svuotare del carburante il motore onde prevenire la formazione di depositi gommosi nel sistema di alimentazione o in parti vitali del carburatore. Nel caso si volesse evitare questa operazione, è possibile prolungare la conservazione del carburante in rimessaggio fino a 12 mesi aggiungendo uno stabilizzante per benzina adatto allo scopo. Miscelare l'additivo al carburante nel serbatoio o nel recipiente del carburante. Accendere il motore per far circolare l'additivo nel sistema di alimentazione. Nota: se il motore utilizza benzina contenente alcol, svuotare il serbatoio facendo funzionare il motore fino ad esaurire il carburante.

### AVVERTENZE PER IL TRASPORTO

Se la motozappa viene trasportata a bordo di un automezzo, assicurarla al mezzo di trasporto mediante funi o cavi.

## ACCESSORI

### ASSOLCATORE

L'assolcatore (fig. 8) è un attrezzo studiato per eseguire solchi di semina o d'irrigazione. Si applica al posto dello sperone e lavora congiuntamente alla fresa.

# MOTOBINEUSE GZ1

Cher Client,

Nous vous remercions de la confiance et de la préférence que vous avez bien voulu accorder à notre motobineuse. Nous sommes certains que l'utilisation de votre nouvelle machine répondra entièrement à vos exigences. Pour un emploi optimal et pour son entretien, nous vous demandons de lire attentivement et de suivre scrupuleusement les indications de cette brochure; cela vous permettra d'obtenir d'excellents résultats et de sauvegarder votre investissement.

Nous vous prions également de conserver ce manuel qui doit toujours accompagner la machine.

## DESCRIPTION GENERAL ET USAGE PREVU

La motobineuse est une machine automotrice à essieu unique, normalement équipée avec une fraise pour travailler le terrain. Ces machines sont généralement utilisées pour la préparation du sol (élimination des mauvaises herbes ou fraisage) et pour le travail dans de petites surfaces et la finition, dans les ouillères et dans l'horticulture. La machine est composée par un châssis porteur où le moteur est installé. Celui-ci actionne la fraise. Il s'agit d'une machine à conducteur marchand où l'utilisateur la conduit grâce à un mancheron où les commandes sont placés.



**ATTENTION! Lire attentivement les instructions avant de mettre le moteur en marche. Les précautions suivantes sont importantes pour votre sécurité!**

## MISES EN GARDE

La prudence est la meilleure arme pour la prévention des accidents!

L'utilisation inadéquate du motoculteur et de son équipement peut être dangereuse. Pour réduire ces éventualités de danger, veuillez respecter les précautions nécessaires décrites ci après:

- 1) Lire entièrement ce manuel avant d'allumer et de mettre en mouvement la machine.
- 2) Suivre avec une attention particulière les mises en garde et les étiquettes de sécurité placées autour de la machine.
- 3) La rotation de la fraise est extrêmement dangereuse, **ne jamais mettre les mains ou les pieds sous la fraise.**
- 4) Avant de confier votre motobineuse à d'autres personnes, il faut leur illustrer aussi bien les normes de sécurité que le mode d'emploi.
- 5) Avant d'allumer la motobineuse, vérifier qu'il n'y a personne aux alentours et, en particulier, qu'il n'y a pas d'enfants.
- 6) Ne pas utiliser la motobineuse en cas de fatigue et ne pas boire d'alcools.
- 7) Contrôler le terrain avant d'effectuer le fraisage, vérifier qu'il n'y a pas de pierres, de bâtons ou de corps étrangers qui pourraient endommager la machine ou être lancés au loin et donc être très dangereux.
- 8) **Avant de commencer le travail, porter des vêtements de travail appropriés, des gants, des bottes et des lunettes.**
- 9) Ne pas utiliser la motobineuse sur des pentes abruptes car il pourrait se renverser.
- 10) Ne pas faire travailler des personnes trop jeunes; l'utilisation de la machine est interdite aux mineurs de moins de 16 ans.
- 11) Il est dangereux d'actionner brusquement les leviers, avec le moteur à plein régime.
- 12) Pour éviter le danger d'exhalaisons toxiques, ne pas faire tourner le moteur dans un local fermé.
- 13) Éteindre toujours le moteur avant de faire le plein de combustible; s'éloigner des étincelles ou des flammes et ne pas fumer!
- 14) Éviter les fuites de combustible; après avoir rempli le réservoir, nettoyer soigneusement les fuites avant d'activer le moteur.
- 15) Stocker le carburant dans des contenants spécifiquement prévus à cet effet.
- 16) Utiliser la motobineuse uniquement en plein jour ou avec un bon éclairage artificiel.



## USAGES IMPROPRES A EVITER

17) Toute utilisation impropre annule la garantie et supprime la responsabilité du constructeur.

## PRECAUTIONS DE SECURITE SUPPLEMENTAIRES

18) **Ne pas altérer ou désactiver les dispositifs de sécurité.**

19) **N'effectuer aucun réglage ou nettoyage avec le moteur en marche.**

20) **Ne pas faire contrôler la machine lorsque le conducteur est au volant avec le moteur en marche.**

21) L'utilisateur est toujours responsable des dommages occasionnés aux tiers.

22) Les houes déformées ou endommagées doivent être remplacées, jamais réparées.

23) Utiliser toujours des pièces de rechange Grillo d'origine.

24) Avant de commencer tout travail avec la machine, vérifier que tous les systèmes contre les accidents dont la machine est équipée fonctionnent parfaitement. Il est formellement interdit de les exclure ou de les modifier.

25) Avant de commencer le travail, contrôler que les vis et écrous de blocage de la fraise et des houes sont bien serrés.

26) Les équipements de protection (capots, garde-boue, etc) doivent être maintenus durant le travail.

27) Ne pas nettoyer la fraise lorsque le moteur est allumé.

28) Ne pas utiliser la machine nu-pieds.

29) Ne pas modifier les réglages du moteur, en particulier le nombre de tours maximal.

30) Laisser refroidir le moteur avant d'entreposer la machine dans des locaux fermés.

31) ATTENTION: pour réduire tout danger d'incendie, éliminer les herbes, les feuilles et la poussière qui pourraient obstruer le moteur, le pot et les collecteurs d'échappement.

32) Effectuer l'éventuelle vidange du réservoir du carburant en plein air.

33) La machine doit être conduite par un seul opérateur.

## IDENTIFICATION ET ASSISTANCE



La motobineuse est muni d'une plaque signalétique placée sur le châssis, qui indique le numéro de matricule de la machine. Le numéro de matricule doit toujours être cité dans toute demande d'intervention technique et sur les commandes de pièces de rechange.

## SERVICE ASSISTANCE

Cette brochure fournit les indications pour l'usage du motoculteur et pour un entretien correct de base, réalisable par l'utilisateur. Pour les interventions non décrites dans ce Manuel, contacter le Revendeur de Zone.

## PIECES DE RECHANGE

Nous recommandons d'utiliser exclusivement des pièces détachées d'origine, les seules qui offrent des caractéristiques de sécurité et d'interchangeabilité. Toutes les demandes doivent indiquer le numéro de matricule. Pour les pièces de rechange relatives au moteur, respecter les indications contenues dans la brochure spécifique.

## GARANTIE

La garantie est assurée selon les modes et les limites indiquées par la loi en vigueur. Le revendeur devra remettre au client final une copie de la carte de garantie de la machine, qui pourra être téléchargée du site Grillo après avoir enregistré la machine même. En ce qui concerne le moteur, seulement les conditions prévues par le Fabricant concerné sont valables.

## COMMENT COMMANDER LES PIÈCES DE RECHANGE

Indiquer toujours le numéro de série de la machine et la référence de la pièce à remplacer. S'adresser à nos Centres de pièces de rechange Voici notre adresse:

GRILLO S.p.A.

Via Cervese 1701 - 47521 CESENA (FC) - ITALIE

Tél. 0039 / 0547 / 633111 - Fax 0039 / 0547 / 632011

Web site: [www.grillospa.it](http://www.grillospa.it) - E-mail: [grillo@grillospa.it](mailto:grillo@grillospa.it)

## PIÈCES DÉTACHÉES QU'ON CONSEILLE AVOIR À DISPOSITION

1 manette accélérateur

1 câble pour enclencher la fraise

## CARACTÉRISTIQUES TECHNIQUES

**MOTEUR:** BRIGGS & STRATTON **575EX** OHV 140 cm<sup>3</sup>, 3CV, (Puissance nette SAE J 1349), mono-cylindre à essence, pot d'échappement avec silencieux, filtre à air à cartouche

**DEMARRAGE:** par lanceur à rappel automatique avec dispositif Ready-Start

**CAPACITÉ RESERVOIR CARBURANT:** 0,8 litres

**BOÎTE DE VITESSES:** à une vitesse

**TRANSMISSION:** vis sans fin à bain d'huile

**EMBRAYAGE:** à enclenchement actif

**MANCHERON:** réglable en hauteur et latéralement

**FRAISE STANDARD:** avec 4 étoiles et disques latérale pour largeur totale de 570 mm .

**DIAMÈTRE DES HOUES:** 280 mm

**PROFONDEUR DE TRAVAIL:** 280 mm

**TOURS FRAISE PAR MINUTE:** 155 tours/min

**DISPOSITIFS DE SÉCURITÉ:** lorsqu'on relâche les mancherons, la machine s'arrête; gardeboues et mancherons conformes à la norme; protection pot d'échappement

## ROUE FRONTALE DE DÉPLACEMENT D'ORIGINE

**POIDS:** 35 kg

## MISE EN SERVICE DE LA MACHINE

- Contrôler que la machine soit en bon état et qu'elle n'ait pas été endommagée pendant le transport.
- Enlever la plaquette (fig. 2, réf. A)
- Soulever le mancheron et le pivoter de 90°.
- Exercer une légère pression sur le châssis pour le monter en position de travail. Si nécessaire, dévisser la vis inférieure (fig. 2A, réf. D). Insérer de nouveau et visser les vis (fig. 2A, réf. C-D).
- Monter l'éperon sur le châssis (fig. 3 – fig. 3A).
- Fixer le châssis à la boîte de vitesses (fig. 4)
- Compléter la rotation du mancheron et remettre les commandes en position vertical. Ajouter les colliers du câble dans le côté droit (fig. 4B).
- Insérer l'huile moteur (voir le manuel d'instructions du moteur)
- Remplir le réservoir du carburant (fig.1, n. 3)

## MODE D'EMPLOI

### AVANT DE DEMARRER LE MOTEUR:

- Contrôler que le filtre à air soit bien propre (fig. 5).
- Contrôler le niveau d'huile moteur (fig. 6)

### DEMARRAGE DU MOTEUR

- Placer le levier du gaz sur la position VITE (max.).
- Démarrer le moteur en tirant avec force la manette du lanceur à rappel automatique (fig.1, n. 6).
- Après le démarrage du moteur positionner le levier accélérateur au minimum.

### DEBUT DU TRAVAIL

- Régler en hauteur le guidon pour l'adapter à la meilleure position du travail en intervenant sur le bouton correspondant (fig.1 n.4).
- Régler la profondeur du travail en baissant ou en soulevant l'éperon arrière (fig. 3)
- Tirer en avant le support roue de transfert et le positionner en haut (fig. 8)
- Accélérer le moteur (fig.1 n.2)
- Presser le levier d'avancement (fig.1 n.1): de cette façon la machine démarre.

### ARRET DU TRAVAIL

- Pour arrêter la machine, relâcher le levier d'avancement (fig.1 n.1).
- Désactiver le moteur en plaçant le levier de l'accélérateur sur la position STOP.

## MAINTENANCE ET LUBRICATION

### ATTENTION!

- **Débrancher la bougie d'allumage avant de procéder à toute opération de nettoyage, de maintenance ou de réparation. Porter des vêtements appropriés et des gants de travail.**
- **Quand on relève la machine ou une partie de la machine, utiliser toujours des instruments appropriés comme des supports de sécurité.**
- **Ne pas laisser la machine relevée et sans supports de sécurité non gardée, surtout dans des lieux où personnes inexpertes et enfants peuvent avoir accès à la machine.**
- **Ne jamais jeter dans la nature les huiles usées, l'essence et tout autre produit polluant!**
- **Une maintenance fiable et une lubrification correcte contribuent à maintenir la tondeuse en parfait état de marche.**

De par sa conception la motobineuse a été réalisée de façon à exiger un entretien réduit. Toutefois pour que la machine travaille toujours parfaitement, il faut suivre les indications suivantes:

- respecter scrupuleusement les normes contenues dans le manuel du moteur. Il est nécessaire de contrôler le niveau d'huile moteur toutes les 4 heures de travail et d'effectuer une vidange toutes les 50 environ (pour choisir l'huile approprié consulter le manuel du moteur).
- Régler la tension du câble d'avancement en intervenant sur le régleur (fig.1, n.8) placé sur le levier.
- Nettoyer le filtre à air toutes les quatre heures (fig. 5) ou plus fréquemment si on travail dans un environnement très poussiéreux.

### HUILE TRANSMISSION

Contrôler le niveau toutes les 50 heures de travail (fig. 7, réf. A). Le niveau d'huile doit être au dessus- du bouchon de niveau. Utiliser huile boîte de vitesses BLASIA 220 S synthétique, quantité 250 gr. Pour vidanger l'huile dévisser le bouchon (fig. 7, réf A). Changer l'huile chaque 100 heures.

### REGLES UTILES POUR UN BON USAGE

- 1) Ne jamais laisser la machine sous la pluie.
- 2) Ne pas forcer la boîte de vitesses si la vitesse ne passe pas: pendant que la vitesse s'enclenche, donner de petits coups sur l'embrayage.
- 3) Ne jamais trop forcer le moteur; lorsqu'il fume excessivement par le tuyau d'échappement, il est sous effort: ralentir.

4) Ne jamais travailler à plein gaz.

5) Enlever les feuilles et les herbes éventuelles qui se déposent sur le filet placé autour de la poulie du moteur.

### MAINTENANCE DE FIN DE SAISON

Laver soigneusement la machine. Vidanger l'huile du moteur et du carter de la boîte de vitesses. Affûter les houes et les graisser. Si elles sont usées il faut les remplacer.

#### TABLEAU RECAPITULATIF DE MAINTENANCE

OPERATION		TOUTES LES 8 HEURES	APRES LES PREMIERES 20 HEURES	TOUTES LES 50 HEURES	TOUTES LES 100 HEURES	TOUTES LES 200 HEURES
Huile moteur	contrôler le niveau	•				
	remplacer	• (après les premières 5 heures)		•		
Filtre à air	contrôler	•				
	remplacer			•		
Huile boîte de vitesses	Contrôler le niveau			•		•
	remplacer				•	
Contrôler que la grille d'aspiration du moteur soit propre		•				
Contrôler fixation et affûtage des houes			•	•		

• opération recommandée

\* à effectuer si nécessaire

### PERIODES DE LONGUE INACTIVITE

Si la machine ne sera pas utilisé pour plus de 30 jours il faut vidanger l' essence pour prévenir les dépôts de gomme dans le système d'alimentation ou sur des pièces vitales du carburateur. Afin d'éviter cette opération, il est possible de prolonger le temps du stockage du carburant dans le réservoir jusqu'à 12 mois en utilisant un additif pour essence approprié. Ajouter l'additif au réservoir de carburant ou dans un réservoir de stockage. Faire tourner quelques instants le moteur pour faire circuler l'additif dans le carburateur. Note: Si Vous utilisez de l'essence à l'alcool, vidanger toute l'essence du réservoir et faire tourner le moteur jusqu'à ce qu'il s'arrête, en panne de carburant.

### MISE EN GARDE POUR LE TRANSPORT

Si la motobineuse doit être transportée avec un camion ou remorque, la fixer au véhicule avec des câbles ou cordes.

## ACCESSOIRES

### BUTTOIR

Le buttoir (fig. 8) est un outil étudié pour réaliser des sillons de semence ou d'irrigation. On l'applique à la place de l'éperon et il travaille associé à la fraise.

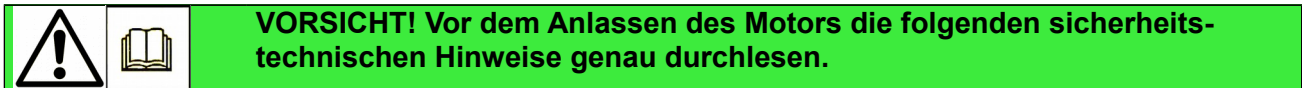
# MOTORHACKE GZ1

Sehr geehrter Kunde,

Wir bedanken uns für Ihr Vertrauen und die Auswahl dieser Motorhacke, und sind sicher, dass die Maschine den von Ihnen gesetzten Erwartungen gerecht wird. Aus diesem Handbuch entnehmen Sie alles, was Sie für den Gebrauch und die Wartung Ihrer Maschine wissen müssen. Lesen Sie es daher aufmerksam durch und halten Sie sich genau an die Anleitungen, damit Sie auch wirklich immer optimale Resultate erzielen und dauernde und volle Befriedigung in Ihren Kauf finden werden. Bewahren Sie bitte dieses Handbuch immer zusammen mit der Maschine auf.

## ALLGEMEINE BESCHREIBUNG UND VORGESEHENER GEBRAUCH

Die Grillo Motorhacke ist eine selbstfahrende Maschine mit nur einer Achse, der normalerweise mit einer Fräse zur Bodenbearbeitung ausgestattet ist. Diese Maschine wird benutzt, um den Boden vorzubereiten (Entfernen von Unkraut und Fräsen) und gedacht für kleine Feldstücke, Gartenbau und Verbesserungsarbeiten im Garten sowie auch in Obstanlage zwischen den Reihen geeignet. Die Maschine besteht aus einem Trägerrahmen, wo der Verbrennungsmotor aufgebaut ist. Der Motor setzt die Fräse in Gang. Es handelt sich um eine Maschine, die von dem Benutzer zu Fuß durch einem Lenkholm geführt wird, mit der Schaltung am Lenkholm.



## SICHERHEITSTECHNISCHE HINWEISE

Vorsicht ist immer die beste Maßnahme, um Unfälle zu vermeiden!

Ein unsachgemäßer Gebrauch der Maschine und ihrer Ausrüstung kann Personen- oder Sachschäden zur Folge haben. Um alle eventuellen Risiken auf ein Minimum zu reduzieren, sind die folgenden Hinweise genauestens zu beachten:

- 1) Lesen Sie dieses Handbuch vor der ersten Benutzung der Maschine sorgfältig und ganz durch.
- 2) Die auf der Maschine angebrachten Hinweise bzw. Plaketten beachten.
- 3) Hände und Füße von der rotierenden Fräse fernhalten - Verletzungsgefahr!**
- 4) Soll die Maschine von einer anderen Person benutzt werden, ist diese vorher genauestens im Gebrauch und über die Unfallverhütungsmaßnahmen zu unterweisen.
- 5) Vergewissern Sie sich vor dem Einschalten der Maschine, dass sich keine anderen Personen und vor allem keine Kinder in der Nähe befinden.
- 6) Das Gerät auf keinen Fall benutzen, wenn Sie unter Alkoholeinfluss stehen und/oder müde sind.
- 7) Vor dem Fräsen den Boden kontrollieren; Steine, Stöcke oder andere Gegenstände können von der Fräse weggeschleudert werden oder die Maschine beschädigen, und müssen daher entfernt werden.
- 8) **Beim Arbeiten immer geeignete Arbeitskleidung, Handschuhe, Arbeitsschuhe und Schutzbrillen tragen.**
- 9) Die Maschine nicht auf steilen Hängen einsetzen; sie könnte sich überschlagen.
- 10) Das vorgeschriebene Mindestalter für die Benutzung der Maschine beträgt 16 (sechzehn) Jahre.
- 11) Bei hohen Motordrehzahlen müssen die Bedienungshebel "mit Gefühl" benutzt werden.
- 12) Den Motor nicht in geschlossenen Räumen laufen lassen (Vergiftungsgefahr - gefährliche Abgase).
- 13) Beim Nachtanken den Motor immer abschalten, nicht rauchen, und offene Flammen bzw. Funken aus dem Gefahrenbereich entfernen.
- 14) Keinen Treibstoff verschütten, und beim Tanken ausgetretenen/verschütteten Treibstoff vor dem Anlassen des Motors entfernen.
- 15) Den Treibstoff in speziell zu diesem Zweck hergestellten Behältern aufbewahren.
- 16) Nur bei Tageslicht oder guter Beleuchtung arbeiten.

## FOLGENDES IST ZU VERMEIDEN

17) Jeder unsachgemäße Gebrauch hat den Verfall des Garantieanspruches und der Haftung des Herstellers zur Folge.

## WEITERE SICHERHEITSRELEVANTE HINWEISE

18) Die Sicherheitsvorrichtungen auf der Maschine niemals außer Funktion setzen bzw. entfernen!

19) Niemals mit laufendem Motor Reinigungsarbeiten bzw. Einstellungen durchführen.

20) Die Maschine niemals von einer anderen Person kontrollieren lassen, während Sie selbst auf dieser sitzen und der Motor läuft.

21) Der Benutzer ist immer für anderen Personen zugefügte Schäden verantwortlich!

22) Beschädigte bzw. verformte Hacken nicht reparieren, sondern immer auswechseln.

23) Ausschließlich Original-Grillo-Ersatzteile verwenden.

24) Vor jeder Benutzung der Maschine sicherstellen, dass alle Sicherheitseinrichtungen funktionieren. Es ist strengstens untersagt, die Sicherheitseinrichtungen außer Funktion zu setzen oder zu entfernen.

25) Vor jeder Benutzung der Maschine sicherstellen, dass alle Schrauben und Feststellmutter der Fräs- bzw. der Hackeinrichtung gut angezogen sind.

26) Die Schutzverkleidung (Gehäuse, Kot-bleche, usw.) dürfen nicht abmontiert werden.

27) Die Fräseinrichtung niemals mit laufendem Motor reinigen.

28) Niemals barfuß arbeiten.

29) Die Einstellung des Motors, im Besonderen die maximale Drehzahl, nicht verstellen.

30) Bevor die Maschine in einem eingeschlossenen Raum abgestellt wird, muss der Motor abgekühlt sein.

31) ACHTUNG: Um die Brandgefahr zu reduzieren, müssen der Motor, der Auspufftopf, die Auspuffkrümmer immer frei von Gras, Blättern, Staub usw. gehalten werden.

32) Den Treibstofftank immer nur im Freien entleeren.

33) Keine Passagiere befördern.

## IDENTIFIKATION UND KUNDENDIENST



Auf dem Maschinenrahmen befindet sich eine Plakette mit der Seriennummer der Maschine, die für die Bestellung von Ersatzteilen und bei allen die Maschine betreffenden Anfragen an den Hersteller/Händler anzugeben ist.

## KUNDENDIENST

In diesem Handbuch finden Sie Anleitungen für den korrekten Gebrauch Ihrer Maschine und die vom Benutzer allein durchführbaren Wartungseingriffe. Für alle nicht in diesem Handbuch beschriebenen Eingriffe und Arbeiten wenden Sie sich bitte an Ihren Grillo-Händler.

## ERSATZTEILE

Verwenden Sie ausschließlich Original-Ersatzteile, die unter sicherheits- und montagetechischem Standpunkt keine Probleme bereiten können. Bei der Ersatzteilebestellung immer die Seriennummer der Maschine angeben. Für die Ersatzteile des Motors die Hinweise im Handbuch des Motors beachten.

## GARANTIE

Es gelten die gesetzlichen Garantiebedingungen. Der Händler muss eine Kopie der Garantie-Karte der Maschine dem Kunden geben. Die Kopie kann von der Grillo Webseite heruntergeladen werden. Für den Motor gelten die vom jeweiligen Hersteller vorgesehenen Garantiebedingungen.

## ERSATZTEILE-BESTELLUNG

Immer die Seriennummer der Maschine und die Artikelnummer des gewünschten Ersatzteils angeben. Wenden Sie sich bitte an unsere Ersatzteilelager. Unsere Adresse ist:

GRILLO S.p.A.

Via Cervese 1701 - 47521 CESENA (FC) - ITALIEN

Tel. 0039 / 0547 / 633111 - Fax 0039 / 0547 / 632011

Web site: [www.grillospa.it](http://www.grillospa.it) - E-mail: [grillo@grillospa.it](mailto:grillo@grillospa.it)

## ERSATZTEILE, DIE SIE IMMER ZUR VERFÜGUNG HABEN SOLLTEN

1 Gashebel

1 Kabel zum Einlegen der Fräse

## TECHNISCHE DATEN

**MOTOR:** BRIGGS&STRATTON **575EX** OHV, 140cc, 3PS (Nutzleistung SAE J 1349), Einzelzylinder Benzin, schallgedämpfter Auspuff, Papierluftfilter.

**ANLASSER:** Reversierstarter mit Ready-Start Vorrichtung.

**KRAFSTOFFBEHÄLTER:** 0,8 Liter.

**GETRIEBE:** 1-Gang-Getriebe.

**ANTRIEB:** Schneckenwelle im Ölbad.

**KUPPLUNG:** aktives Einkuppeln.

**LENKHOLM:** höhen- und seitenverstellbar.

**STANDARD FRÄSE:** mit 4 Sternen und Seitenscheiben für eine gesamte Breite von 570 mm.

**HACKEN DURCHMESSER:** 280 mm.

**ARBEITSTIEFE:** 280 mm.

**UMDREHUNGEN DER FRÄSE PRO MINUTE:** 155 U.p.M.

**SICHERHEITSVORRICHTUNGEN:** Bei Loslassen des Lenkholms bleibt die Maschine stehen, Kotflügel, Lenkholm entsprechen den laufenden Richtlinien, Auspuffschutzvorrichtung.

## TRANSPORTRAD SERIENMÄßIG

**GEWICHT:** 35 kg

## INBETRIEBNAHME DER MASCHINE

- Die Maschine auf Transportschäden untersuchen.
- Das Plättchen ausbauen (Abb. 2, A).
- Den Lenkholm aufheben und um 90° drehen.
- Eine leichte Kraft auf den Rahmen ausüben, um das Gerät in die Arbeitsposition zu stellen. Bei Bedarf die untere Schraube lockern (Abb. 2A, D). Dann die Schrauben wieder einfügen und befestigen (Abb. 2A, C-D).
- Den Sporn auf den Rahmen einbauen (Abb. 3 – Abb. 3A).
- Der Rahmen zum Getriebe befestigen (Abb. 4).
- Die Rotation des Lenkholms beenden und die Bedienungen wieder in senkrechte Position stellen. Die Kabelklemmen an der rechten Seite hinzufügen (Abb. 4B).
- Motorenöl einfüllen (siehe Motorhandbuch)
- Den Treibstofftank füllen (Abb. 1, Nr. 3).

## BETRIEBSANLEITUNG

### VOR DEM STARTER DES MOTORS

- Überprüfen Sie, dass der Ölfilter sauber ist (Abb. 5)
- Überprüfen den Motorenölstand (Abb. 6)

### ANLASSEN DES MOTORS

- Den Gashebel in Schnellposition (max.) stellen.
- Kräftig am Griff des Reversierstarters ziehen (Abb. 1 Nr. 6).
- Sobald der Motor angesprungen ist, den Gashebel beinahe auf das Minimum langsam zurückstellen.

### ANLASSEN DER MASCHINE

- Durch Betätigung des entsprechenden Verstellhebels den Lenker in der Höhe auf die beste Arbeitshöhe einstellen (Abb.1 Nr.4)
- Die Arbeitstiefe durch den hinteren Sporn einstellen (Abb.3)
- Das vordere Transportrad nach vorne aus der Halterung ziehen und nach oben einstellen (Abb.8)
- Den Motor beschleunigen (Abb.1 Nr.2)
- Den Vorwärtshebel drücken (Abb.1 Nr.1): die Maschine setzt sich in Gang.

### ARBEITSENDE

- Um die Maschine einzuschalten, den Vorwärtshebel loslassen (Abb.1 Nr.1).
- Den Beschleunigungshebel auf die STOPP-Position bringen: auf diese Weise wird der Motor ausgeschaltet.

## WARTUNG UND SCHMIERUNG

### ACHTUNG!

- Vor jedem Reinigungs-, Wartungs- oder Reparaturingriff den Zündkerzenkabel aus Zündspule entfernen. Zweckmäßige Arbeitskleidung und Arbeitshandschuhe tragen.
- Wenn die Maschine oder ein Teil der Maschine angehoben wird, benutzen Sie immer geeignete Arbeitsmittel wie z.B. Hubtische oder Radkeile.
- Wenn Sie Wartungsoperationen an der Maschine durchführen, lassen Sie die angehobene Maschine nie in ungesicherten Zustand (ohne Radkeile) und unbewacht, vor allem an einem Ort, wo unerfahrene Personen oder Kinder leichten Zugang zur Maschine haben können.
- Altöl, Benzin und andere umweltverschmutzende Produkte ordnungsgemäß entsorgen! - Eine gute Wartung und eine korrekte Schmierung halten den Mäher stets funktionstüchtig und einsatzbereit.

Die Motorhacke ist so gebaut, dass sie nur ein Minimum an Wartung benötigt. Um einen einwandfreien Betrieb zu gewährleisten, sind jedoch die folgenden Maßnahmen erforderlich:

- sich strikt an die im Motorenhandbuch enthaltenen Anweisungen halten. Es ist auf jeden Fall unentbehrlich alle 4 Arbeitsstunden den Motorölstand zu überprüfen und das Öl alle 50 Stunden auszutauschen. Für den Motorenöltyp das Motorhandbuch sehen.
- Die Spannung des Vorwärtshebels durch auf dem Hebel angebrachter Einstellschraube einstellen (Abb.1 Nr.8)
- Den Luftfilter alle vier Stunden reinigen (Abb. 5) oder auch öfter in sehr staubigen Umgebungen.

### GETRIEBE

Das Niveau alle 50 Stunden überprüfen (Abb.7 Pos.A) . Das Öl muss bis über den Niveaustöpsel reichen. Synthetisches Getriebeöl BLASIA 220 S benutzen: Menge: 250g. Um das Öl einzufüllen den Schraubverschluss (Abb.7 Pos. A) aufschrauben. Alle 100 Stunden Öl wechseln.

### EINIGE NÜTZLICHE HINWEISE

1. Die Maschine niemals im Regen stehen lassen.
2. Den Gang nicht ruckartig einlegen; ggf. mit kurzem Kupplungsdrücken nachhelfen.
3. Den Motor niemals überbeanspruchen; tritt zu viel Rauch aus dem Auspuff, langsamer fahren.



4. Niemals mit Vollgas arbeiten.
5. Von Unkraut den um die Riemenscheibe des Motors herum eingebaute Netzfilter befreien.

### WARTUNG AM SAISONENDE

Die Maschine sorgfältig waschen; Motor- und Getriebeöl wechseln. Die Hacken schleifen und einfetten, und sie ggf. durch neue Hacken ersetzen.

### ZUSAMMENFASSENDE TABELLE DER WARTUNG

OPERATION		JEDE 8 STUNDEN	NACH DEN ERSTEN 20 STUNDEN	JEDE 50 STUNDE N	JEDE 100 STUNDEN	JEDE 200 STUNDEN
Motoröl	das Niveau überprüfen	•				
	wechseln	• (erster Wechsel nach 5 Stunden)		•		
Luftfilter	überprüfen	•				
	wechseln			•		
Getriebeöl	Das Niveau überprüfen			•		•
	wechseln				•	
Überprüfen Sie, dass das Ansauggitter des Motors sauber ist		•				
Überprüfen Sie, dass die Hacken gut geschärft und befestigt sind.			•	•		

• empfohlene Operation

\* nur wenn notwendig durchführen

### EINSTELLEN DES MÄHERS FÜR DEN WINTER ODER LÄNGERE NICHTBENUTZUNG

Sollte die Maschine für länger als 30 Tage nicht benutzt werden, entleeren Sie den Kraftstoffbehälter, um die Bildung von Ölrückständen in der Kraftstoffanlage oder im Vergaser zu vermeiden. Wenn Sie diese Operation vermeiden möchten, es ist möglich den Kraftstoff im Tank bis zum 12 Monaten aufzubewahren, indem Sie einen geeigneten Kraftstoff-Stabilisator benutzen. Fügen Sie den Kraftstoff-Stabilisator im Benzintank hinzu. Den Motor eine Weile laufen lassen, damit der Stabilisator in die Kraftstoffanlage fließen kann. Merke: Wenn die Benzin Alkohol enthält, lassen Sie den Motor laufen, bis den Kraftstoff aufgebraucht ist.

### HINWEISE ZUM TRANSPORT DER MASCHINE

Wenn die Maschine auf einem LKW oder Anhänger transportiert wird, befestigen Sie die Maschine am Fahrzeug durch Kabeln oder Seile.

## ZUBEHÖR

### HÄUFELKÖRPER

Der Häufelkörper ist ein Werkzeug, das für das Ziehen von Saatzfurchen und Bewässerungsfurchen entwickelt wurden. Er wird anstelle des Sporns montiert (Abb. 8) und arbeitet zusammen mit der Fräse.

# MOTOAZADA GZ1

Estimado Cliente

le agradecemos la confianza y la preferencia que ha demostrado por nuestro producto y confiamos en que su nueva máquina responda completamente a sus exigencias.

Para un buen empleo y un perfecto mantenimiento, le rogamos que lea atentamente las instrucciones de este manual y las respete escrupulosamente, ello le permitirá obtener los máximos resultados y salvaguardar su inversión. Conserve este manual que tiene que acompañar a la máquina siempre.

## DESCRIPCIÓN GENERAL Y USO PREVISTO

La motoazada es una máquina agrícola autopropulsada con un solo eje, normalmente equipada de fresa para la elaboración del terreno. Estas máquinas se utilizan para preparar el suelo (limpieza de las malezas, fresado) y para pequeñas obras de acabado y en la horticultura en general. La máquina está constituida por un chasis portante sobre el que se encuentra posicionado el motor de explosión que acciona la toma de fuerza. La máquina es conducida por un operador que sigue los movimientos de la motoazada a través de un manillar donde se encuentran los mandos.



**¡ATENCIÓN! Antes de arrancar el motor leer atentamente.  
¡Las siguientes advertencias son importantes para su integridad física!**

## ADVERTENCIAS CONTRA ACCIDENTES

La prudencia es el arma principal en la prevención de los accidentes.

El uso incorrecto de la motoazada y de su equipamiento puede ser perjudicial; para reducir estas posibilidades adoptar las precauciones necesarias que se indican a continuación:

- 1) Lea este manual en su totalidad, antes de encender y poner en marcha la motoazada.
- 2) Preste una atención especial a las prohibiciones y a las etiquetas de seguridad alrededor de la máquina.
- 3) La rotación de la fresa es muy peligrosa, **no poner nunca las manos o los pies debajo de la fresa.**
- 4) Antes de permitir que otras personas trabajen con la máquina, es preciso ponerlas al corriente de las normas de seguridad y de cómo se usa la máquina.
- 5) Antes de encender la máquina comprobar que no hay personas alrededor; especialmente niños.
- 6) No usar la máquina cuando se esté cansado y no beber alcohol.
- 7) Controlar el terreno antes de realizar el fresado, viendo que no hay piedras, palos o cuerpos extraños, que pudieran dañar la máquina o ser lanzados lejos, y por lo tanto muy peligrosos.
- 8) **Antes de comenzar el trabajo, ponerse prendas apropiadas de trabajo, guantes, botas y gafas.**
- 9) No usar la máquina en fuertes pendientes.
- 10) No dejar trabajar a muchachos demasiado jóvenes; está prohibido el uso de la máquina a los menores de 16 años.
- 11) Es peligroso accionar las palancas bruscamente, con el motor al régimen máximo.
- 12) Para evitar el peligro de exhalaciones venenosas, no utilizar el motor encendido en un local cerrado.
- 13) Apagar siempre el motor antes de repostar combustible, mantenerse alejado de chispas o llamas y ¡no fumar!
- 14) Evitar derrames de combustible y tras haber llenado el depósito limpiar cualquier derrame antes de arrancar el motor.
- 15) Almacenar el combustible en recipientes fabricados específicamente con dicha finalidad.
- 16) Trabaje sólo con la luz natural o con luz artificial muy buena.

## EVITAR LOS USOS INCORRECTOS

17) Cualquier uso impropio supone la anulación de la garantía y la exoneración de cualquier responsabilidad del fabricante.

## MEDIDAS PREVENTIVAS COMPLEMENTARIAS

- 18) **No manipular sin autorización o desactivar los dispositivos de seguridad.**
- 19) **No hacer ningún tipo de regulación o limpieza con el motor en marcha.**
- 20) **No hacer controlar la máquina por nadie mientras esté conduciendo con el motor en marcha.**
- 21) El usuario siempre es responsable de los daños originados a terceros.
- 22) Las azadas deformadas o dañadas deberán sustituirse siempre, no repararlas nunca.
- 23) Usar siempre recambios originales Grillo.
- 24) Antes de comenzar cualquier trabajo con la máquina, comprobar que todos los sistemas contra accidentes, de los cuales la máquina va dotada, funcionan perfectamente. Está rigurosamente prohibido desactivarlos o manipularlos sin autorización.
- 25) Antes de comenzar a trabajar, controlar que los tornillos y las tuercas de bloqueo de la fresa y de las azadas están bien apretados.
- 26) El equipamiento de protección (capós, guardabarros, etc.), se mantiene siempre durante el trabajo.
- 27) No limpiar la fresa con el motor encendido.
- 28) No usar la máquina con los pies descalzos.
- 29) No modificar las regulaciones del motor, especialmente la cantidad máxima de revoluciones.
- 30) Dejar enfriar el motor antes de guardar la máquina en ambientes cerrados.
- 31) **ATENCIÓN:** Para reducir el peligro de incendio, mantener el motor, el silenciador del escape y los tubos de escape libres de hierba, hojas, polvo, etc..
- 32) Si fuera necesario vaciar el tanque de combustible, efectuar la operación al aire libre.
- 33) Trabajar sólo a la luz del sol o con buena iluminación artificial.

## IDENTIFICACION Y ASISTENCIA



La motoazada está dotada de una placa con el número de bastidor de la máquina que se encuentra sobre el chasis, bajo la caja. Este número es indispensable para cualquier intervención técnica y para solicitar los recambios.

## SERVICIO DE ASISTENCIA

Este manual da las indicaciones para usar la motoazada y para efectuar un mantenimiento básico correcto, que puede realizar el mismo usuario. Para las operaciones que no se describen en este libro, consultarse con el Revendedor de la Zona.

## RECAMBIOS

Se aconseja emplear exclusivamente recambios originales, los únicos que ofrecen características de seguridad e intercambiabilidad. Cualquier pedido ha de llevar el número de matrícula. Para los recambios del motor, atenerse a las indicaciones del libro específico.

## GARANTÍA

La garantía es ofrecida en los modos y dentro de los límites previstos por la ley en vigor. El revendedor tiene que entregar el certificado de garantía de la máquina al cliente final, imprimiendo una copia de la registración del sitio Internet Grillo. Por lo que respecta el motor, valen las condiciones previstas por los respectivos fabricantes.

## COMO SOLICITAR LOS RECAMBIOS

Indicar siempre el número de matrícula de la máquina y la referencia de la pieza que se ha de sustituir. Dirigirse a nuestros centros de recambios. Nuestras señas son:

GRILLO S.p.A.  
Via Cervese 1701 - 47023 CESENA (FC) - ITALIA  
Tel. 0039 / 0547 / 381333 - Fax 0039 / 0547 / 632011  
Web site: [www.grillospa.it](http://www.grillospa.it) - E-mail: [grillo@grillospa.it](mailto:grillo@grillospa.it)

## REPUESTOS QUE SE ACONSEJA TENER DE RESERVA

- 1 mando del acelerador
- 1 cable para accionar la fresa

## CARACTERÍSTICAS TÉCNICA

**MOTOR:** BRIGGS & STRATTON **575EX** OHV 140cc 3 HP (Potencia neta SAE J 1349) mono-cilíndrico a gasolina, escape silenciado, filtro aire de cartucho.

**ARRANQUE:** de tiro con autoenvolvente con sistema Ready-Start.

**CAPACIDAD TANQUE CARBURANTE:** 0,8 Litros.

**CAJA DE CAMBIOS:** monomarcha.

**TRANSMISIÓN:** tornillo sin fin en baño de aceite.

**EMBRAGUE:** acoplamiento activo.

**MANCERA:** regulable en altura y lateralmente.

**FRESA ESTÁNDAR:** 4 estrellas de cuchillas + discos laterales por un ancho total de 570 mm.

**DIÁMETRO CUCHILLAS:** 280 mm.

**PROFUNDIDAD DE TRABAJO:** 280 mm.

**REVOLUCIONES FRESA/MINUTO:** 155

**DISPOSITIVOS DE SEGURIDAD:** soltando la manquera la máquina se detiene; guardabarros y manquera conformes a las normas; protección escape.

## RUEDA DE TRASLADO DE SERIE

**PESO:** 35 kg

## PUESTA EN MARCHA DE LA MAQUINA

- Controle que la máquina esté intacta y que no haya sufrido daños durante el transporte.
- Quitar la plaquita distanciadora (fig. 2A, ref. A).
- Levantar el manillar y girarlo de 90°.
- Presionar ligeramente para cerrar el chasis en posición de trabajo. Si necesario, aflojar el tornillo inferior (fig. 2A, ref. D). Insertar y apretar de nuevo los tornillos de fijación (fig. 2A, ref. C-D).
- Fijar el espolón al chasis (fig. 3 – fig. 3A).
- Fijar el chasis a la caja de cambios (fig. 4).
- Completar la rotación del manillar y volver a posicionar los mandos en posicionar los mandos en posición vertical. Añadir los aprieta-cables a lado derecho (fig. 4B).
- Inserte el aceite motor (véase el libro correspondiente).
- Llene el depósito de carburante (fig.1 n.3).

## INSTRUCCIONES DE USO

### ANTES DE ARRANCAR EL MOTOR

- Controle que el filtro de aire esté limpio (fig. 5).
- Controle el nivel de aceite motor (fig. 6).

### PUESTA EN MARCHA DEL MOTOR

- Coloque la palanca del gas en posición rápida (max.).
- Arranque el motor tirando con fuerza el mando del autoenvolvente (fig.1 n.6).
- Una vez arrancado el motor, coloque la palanca del acelerador casi al mínimo.

## COMIENZO DEL TRABAJO

- Regule la altura del manillar moviendo el pomo correspondiente para adaptarlo a una mejor posición de trabajo (fig.1 n.4).
- Regule la profundidad de trabajo bajando o levantando el espolón trasero (fig. 3) .
- Tire por delante el soporte de la rueda de traslado y la coloque arriba (fig. 8).
- Acelerar el motor (fig. 1, n. 2).
- Presionar la palanca de avance (fig.1 n.1): la máquina se pone en marcha.

## FIN DEL TRABAJO

- Para detener la máquina suelte la palanca de avance (fig.1 n.1)
- Apague el motor colocando la palanca del acelerador en posición STOP.

## MANUTENCIÓN Y LUBRICACIÓN

### ¡ATENCIÓN!

- **Desconectar la bujía antes de iniciar cualquier operación de limpieza, mantenimiento o reparación. Llevar indumentaria apropiada y guantes de trabajo.**
- **Si fuera necesario levantar la máquina o parte de esa, utilizar siempre herramienta adecuada como soportes o ganchos de seguridad.**
- **No dejar la máquina en mantenimiento, sin dispositivos de seguridad o levantada en lugares accesibles a personas inexpertas, especialmente niños.**
- **Nunca desechar en el medio ambiente el aceite usado, la gasolina o cualquier otro producto contaminante.**
- **Un mantenimiento eficaz y una correcta lubricación contribuyen a mantener la máquina en perfectas condiciones.**

La motoazada ha sido diseñada para que necesite muy poca mantenimiento, igualmente, para mantener la máquina en buen estado es oportuno respetar las siguientes condiciones:

- cumpla escrupulosamente con las normas del libro del motor. De todas formas, es indispensable controlar el nivel de aceite cada 4 horas de trabajo y sustituirlo cada 50 horas aproximadamente. Para el tipo de aceite véase el libro motor.
- Regule la tensión del cable de avance moviendo el dispositivo de reglaje (fig.1 n.8) situado en la palanca.
- Limpie el filtro del aire cada cuatro horas (fig. 5) y mas frecuentemente si el medioambiente es muy polvoriento.

## ACEITE CAJA DE CAMBIO

Controle el nivel cada 50 horas de trabajo (fig.7, ref.A). El nivel de aceite debe llegar por encima del tapón. Utilice aceite cambio BLASIA 220 S sintético: cantidad 250 gr. Para insertar el aceite quite el tapon (fig.7, ref.B). Sustituir el aceite cada 100 horas.

## REGLAS UTILES PARA EL BUEN FUNCIONAMIENTO

1. No deje nunca la máquina bajo la lluvia.
2. No esfuerce la palanca de cambio si la marcha no engrana: es suficiente dar unos pequeños golpes de embrague.
3. No abuse del motor cuando el escape humea demasiado; es necesario disminuir la velocidad moderadamente y proceder con una marcha inferior.
4. No trabaje nunca al máximo.
5. Quite las hojas y hierbas que se hayan depositado en la redcilla de la polea del motor.

## MANUTENCIÓN DE FIN DE ESTACIÓN

Limpie la máquina con cuidado; cambie el aceite del motor y del cárter-cambio. Afile y engrase las azadas; si están gastadas conviene cambiarlas.

**TABLA RECAPITULATIVA DE MANTENIMIENTO**

INTERVENTOS		CADA 8 HORAS	PRIMERAS 20 HORAS	CADA 50 HORAS	CADA 100 HORAS	CADA 200 HORAS
Aceite motor	Controlar el nivel	•				
	Sustituir	• (primero cambio después de las primeras 5 horas)		•		
Filtro aire	Controlar	•				
	Sustituir			•		
Aceite caja de cambios	Controlar el nivel			•		•
	Sustituir				•	
Controlen que la rejilla de aspiración motor sea limpia		•				
Controlar afilado y fijación cuchillas			•	•		

- intervención recomendada
- \* intervenir si necesario

**ALMACENAMIENTO Y INACTIVIDAD PROLONGADA**

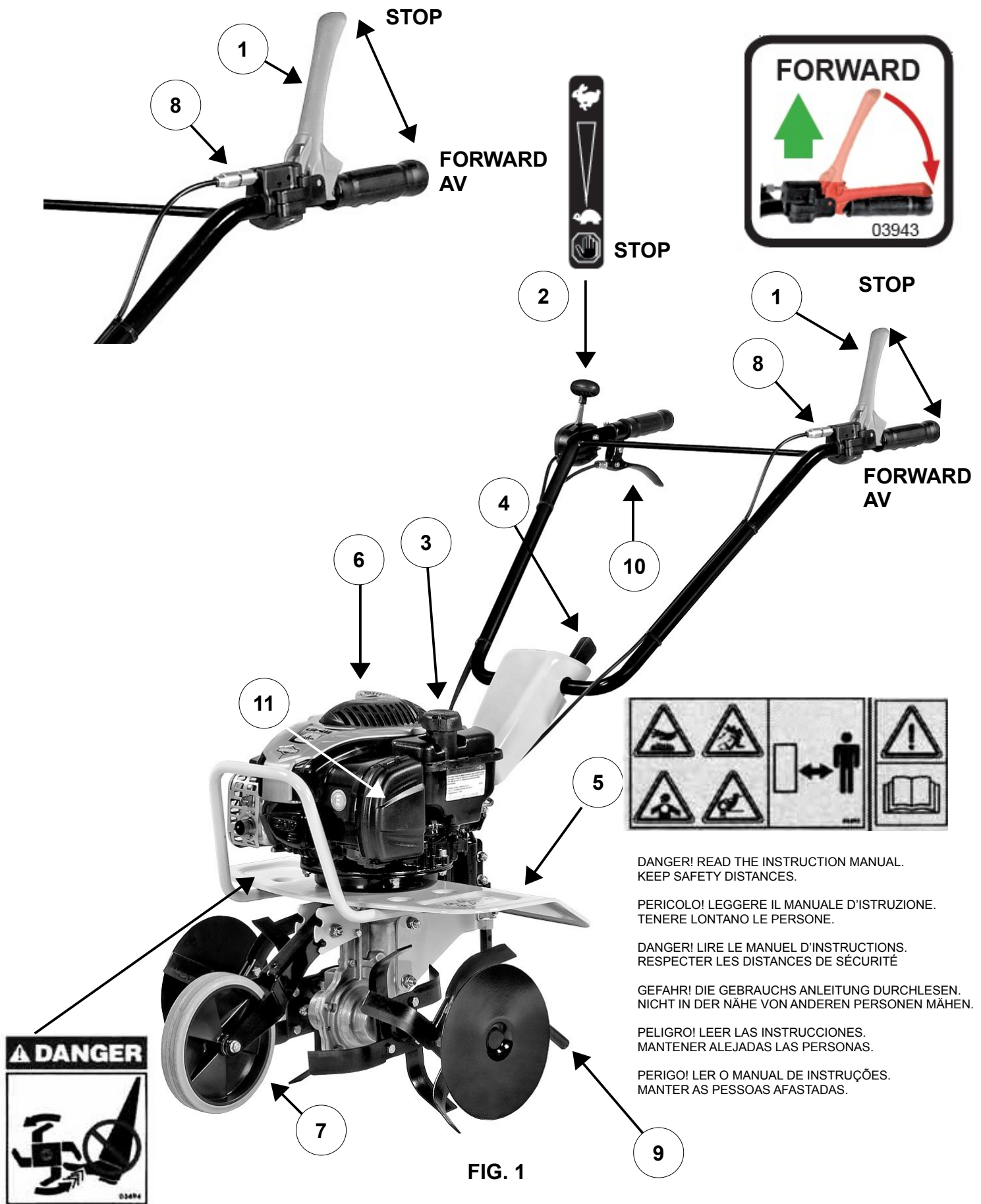
Si se prevé un periodo prolongado de inactividad (superior a un mes), es necesario vaciar el motor del combustible para prevenir la formación de depósitos gomosos en el sistema de alimentación o en partes vitales del carburador. Si se quiere evitar esta operación, es posible prolongar la conservación del combustible en almacenamiento hasta 12 meses añadiendo el aditivo estabilizante para gasolina. Mezcle el aditivo al carburante en el depósito o en el recipiente del carburante. Ponga en marcha el motor por un tiempo para hacer circular el aditivo en el sistema de alimentación. Nota: si el motor lleva gasolina con alcohol, vacíe el depósito haciendo funcionar el motor hasta que se vacíe por completo.

**ADVERTENCIAS POR EL TRANSPORTE**

Si la máquina es transportada con un camión o un remolque, amárrela al medio de transporte con cables o cadenas.

**ACCESORIOS****ASURCADOR**

El asurcador sirve para efectuar surcos de siembras o de riego. Se aplica en lugar del espolón (fig. 8) y trabaja en combinación con la fresa.



Warning! Turning gears, keep your hands and feet away.  
 Do not clean the attachment when the engine is running.  
 Attenzione! Organo in rotazione, tenere lontano piedi e mani.  
 Non pulire l'attrezzo col motore in moto.  
 Attention! Organe en rotation, ne pas approcher main et pieds.  
 Ne pas nettoyer le moteur quand le moteur est en marche.  
 Achtung! Rotierende Klinge, Hände und Füße fernhalten.  
 Niemals bei laufendem Motor reinigen.  
 ¡Peligro! Órgano cortante. Mantener lejos los pies y las manos.  
 No limpiar la herramienta con el motor en marcha.  
 Atenção! Órgão em rotação. Mantenha as mãos e os pés afastados.  
 Não limpe o equipamento com o motor em movimento.

## LEGEND – LEGENDA – LEGENDE – LEGENDE – LEYENDA

### DESCRIPTION OF CONTROLS

- 1- Travel/stop lever (tiller engagement lever)
- 2- Throttle lever
- 3- Fuel tap
- 4- Handlebar adjust. Lever
- 5- Spur adjuster pin
- 6 – Pull-starter handle
- 7- Transfer wheel
- 8- Tille engagement cable adjuster screw
- 9- Spur
- 10- Handlebar adjuster lever
- 11 – Air filter

### DESCRIZIONE COMANDI

- 1- Leva avanzamento – arresto
- 2 – Leva acceleratore
- 3 – Tappo carburante
- 4 – Leva posizionamento manubrio
- 5 – Spinotto regolazione
- 6 – Maniglia avviamento autoavvolgente
- 7 – Ruotino di trasferimento
- 8 – Registro filo avanzamento
- 9 – Sperone
- 10 – Maniglia posizionamento stegole
- 11 – Filtro aria

### DESCRIPTION COMMANDES

- 1- Levier d'avancement – arrêt
- 2- Levier accélérateur
- 3- Bouchon carburant
- 4- Levier du réglage du guidon
- 5- Goujon de réglage de l'éperon
- 6- Poignée du lanceur à rappel automatique
- 7- Roue de transport
- 8- Régleur câble d'avancement
- 9- Éperon
- 10- Manette de positionnement de mancherons
- 11 – Filtre à air

### BEDIENUNGSBESCHREIBUNG

- 1- Vorwärts und Stopphebel
- 2- Gashebel
- 3- Kraftstoffverschluss
- 4- Hebel zur Einstellung des Lenkholms
- 5- Steckstift zur Sporneinstellung
- 6- Hebel des Reversierstarters
- 7- Transportrad
- 8- Einstellungsschraube des Vorwärtshebels
- 9- Sporn
- 10- Einstellungshebel des Lenkholms
- 11 - Luftfilter

### DESCRIPCION MANDOS

- 1- Palanca de avance
- 2- Palanca del acelerador
- 3- Tapon carburante
- 4- Palanca de posicionamiento del manillar
- 5- Perno de regulacion del espolon
- 6- Manilla de arranque autoenvolvente
- 7- Rueda de traslado
- 8- Reglaje del cable de avance
- 9- Sporn
- 10- Manilla colocacion manquera
- 11 – Filtro de aire



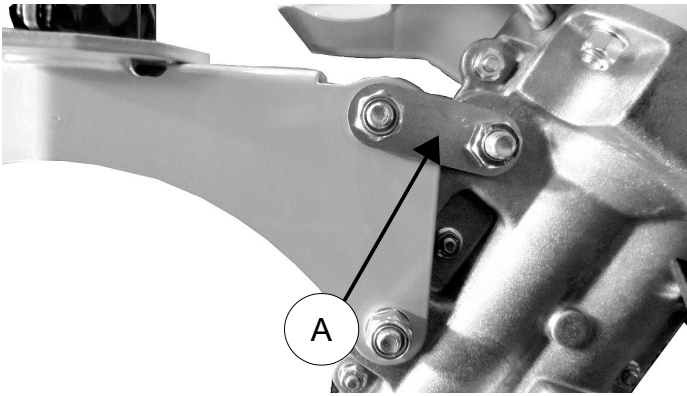


Fig. 2

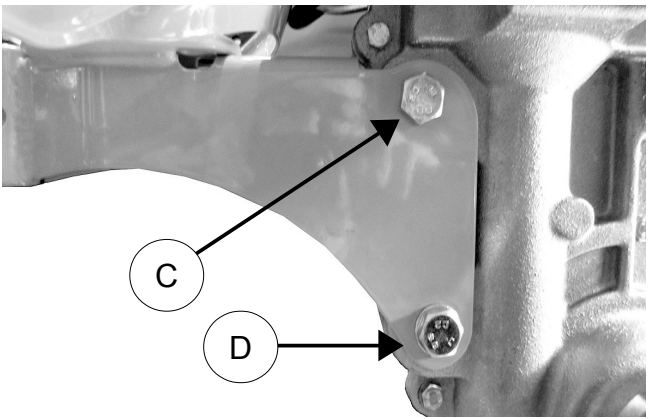


Fig. 2A

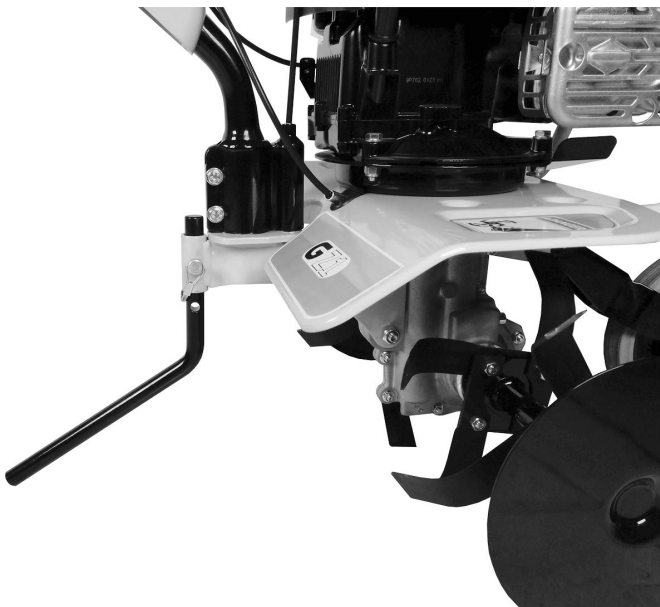


Fig. 3

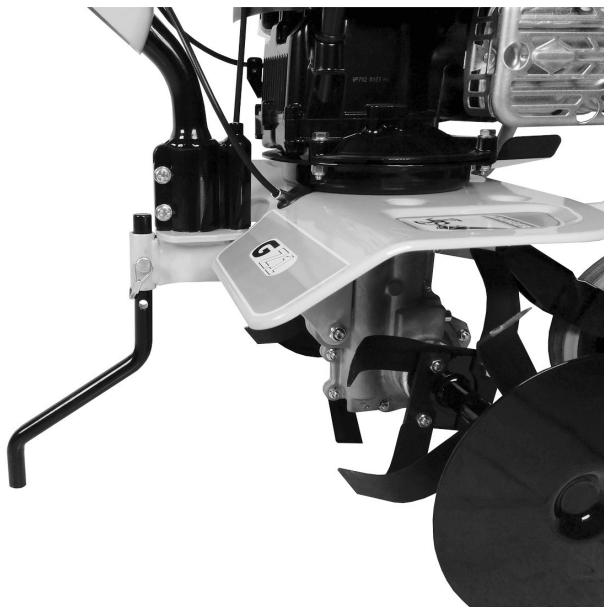


Fig. 3A

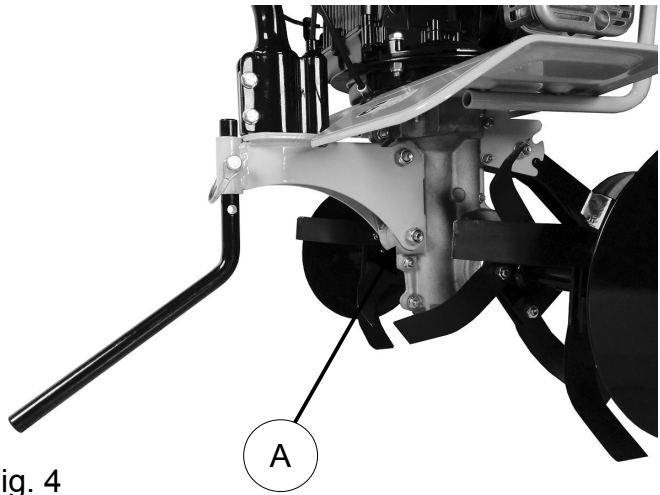


Fig. 4



Fig. 4B

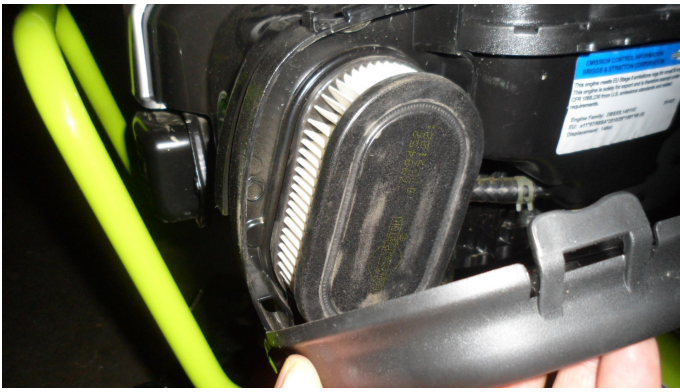


Fig. 5

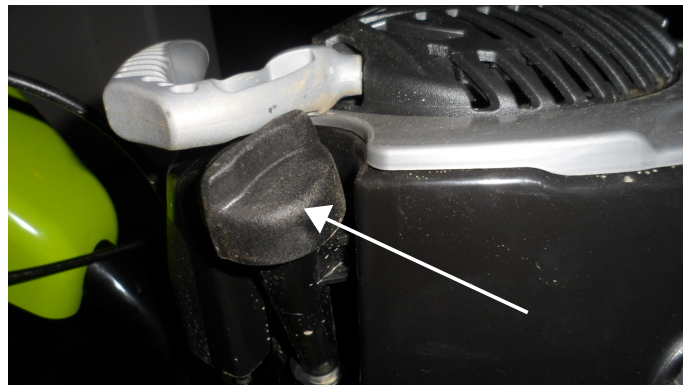


Fig. 6

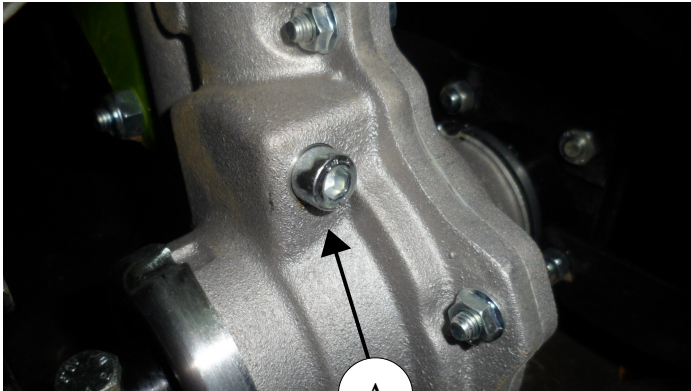


Fig. 7



Fig. 8



**Grillo S.p.A.**

47521 CESENA (ITALY) – Via Cervese 1701

Tel: +39 0547 633111

Fax: +39 0547 632011

Website: [www.grillospa.it](http://www.grillospa.it)

E-mail: [grillo@grillospa.it](mailto:grillo@grillospa.it)

**GRILLO DEUTSCHLAND GmbH**

Pilsener Strasse, 9 - D-86199 Augsburg

Tel: + 49 082126879910

Faxnr.: + 49 01733132860

Webseite: [www.grillodeutschland.de](http://www.grillodeutschland.de)

E-Mail: [grillo@grillodeutschland.de](mailto:grillo@grillodeutschland.de)

**Grillo Agrigarden LTD**

Dove fields Uttoxeter - ST148HU Staffordshire

Tel: + 44 01889569149

Fax no.: + 44 01889592666

Website: [www.grilloagrigarden.co.uk](http://www.grilloagrigarden.co.uk)

E-mail: [info@grilloagrigarden.co.uk](mailto:info@grilloagrigarden.co.uk)